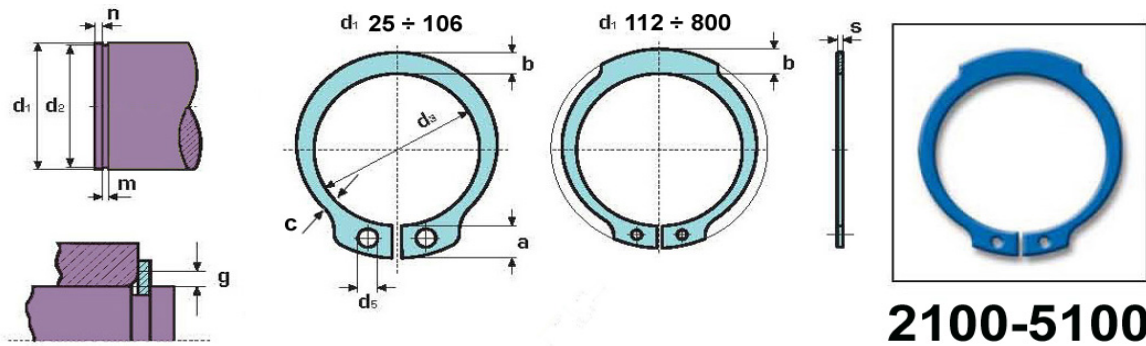




ANELLI ELASTICI PER ALBERI TIPO A
RETAINING RINGS FOR SHAFTS TYPE A
SICHERUNGSRINGE FÜR WELLEN TYP A
ANNEAUX ELASTIQUES POUR ARBRES TYPE A



2100-5100

Dimensioni in INCH - Dimensions in INCH - Abmessungen in INCH - Dimensions en INCH

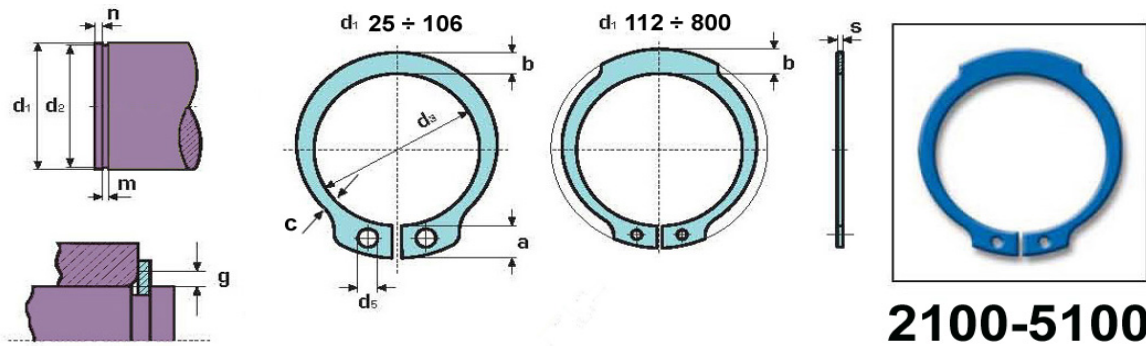
Ring. N°	d1	S	d3	a	b	c	d5	d2	m	n min.	FN Lbr.	FR Lbr.	g	FRg Lbr.	Nabl min ⁻¹	¹ Lbs.	² Lbr.	³ BENERI	
25	,250	,025 +.0020 -.0020	,225 +.0020 -.0040	,080 +.0030 -.0030	,035 +.0030 -.0030	,0250 +.0030 -.0030	,041 +.0100 -.0020	,230 +.0015 -.0015	,029 +.0030 -.0000	,030	175	599	,1100	470	80000	0,194	2500	2500	A0 A01
27	,276	,025 +.0020 -.0020	,250 +.0020 -.0050	,081 +.0030 -.0030	,035 +.0030 -.0030	,0240 +.0030 -.0030	,041 +.0100 -.0020	,255 +.0020 -.0020	,029 +.0030 -.0000	,031	195	660	,0105	470	76000	0,218	2000	2000	A0 A01
28	,281	,025 +.0020 -.0020	,256 +.0020 -.0050	,080 +.0030 -.0030	,038 +.0030 -.0030	,0250 +.0030 -.0030	,041 +.0100 -.0020	,261 +.0020 -.0020	,029 +.0030 -.0000	,030	200	670	,0120	470	74000	0,242	2000	2000	A0 A01
31	,312	,025 +.0020 -.0020	,281 +.0020 -.0050	,087 +.0030 -.0030	,040 +.0030 -.0030	,0260 +.0030 -.0030	,041 +.0100 -.0020	,290 +.0020 -.0020	,029 +.0030 -.0000	,033	240	751	,0120	470	70000	0,284	5000	5000	A0 A01
34	,344	,025 +.0020 -.0020	,309 +.0020 -.0050	,087 +.0030 -.0030	,042 +.0030 -.0030	,0265 +.0030 -.0030	,041 +.0100 -.0020	,321 +.0020 -.0020	,029 +.0030 -.0000	,033	265	812	,0125	470	64000	0,308	1500	1500	A0 A01
35	,354	,025 +.0020 -.0020	,320 +.0020 -.0050	,087 +.0030 -.0030	,046 +.0030 -.0030	,0290 +.0030 -.0030	,041 +.0100 -.0020	,330 +.0020 -.0020	,029 +.0030 -.0000	,036	300	832	,0140	470	62000	0,330	1500	1500	A0 A01
37	,375	,025 +.0020 -.0020	,338 +.0020 -.0050	,088 +.0030 -.0030	,050 +.0030 -.0030	,0305 +.0030 -.0030	,041 +.0100 -.0020	,352 +.0020 -.0020	,029 +.0030 -.0000	,036	320	883	,0155	470	60000	0,372	1500	1500	A0 A01
39	,394	,025 +.0020 -.0020	,354 +.0020 -.0050	,087 +.0030 -.0030	,052 +.0030 -.0030	,0310 +.0030 -.0030	,041 +.0100 -.0020	,369 +.0020 -.0020	,029 +.0030 -.0000	,037	335	954	,0160	470	56500	0,374	1500	1500	A0 A01
40	,406	,025 +.0020 -.0020	,366 +.0020 -.0050	,087 +.0030 -.0030	,054 +.0030 -.0030	,0330 +.0030 -.0030	,041 +.0100 -.0020	,382 +.0020 -.0020	,029 +.0030 -.0000	,036	350	964	,0170	470	55000	0,396	1500	1500	A0 A01
43	,438	,025 +.0020 -.0020	,395 +.0020 -.0050	,088 +.0030 -.0030	,055 +.0030 -.0030	,0330 +.0030 -.0030	,041 +.0100 -.0020	,412 +.0020 -.0020	,029 +.0030 -.0000	,039	400	1035	,0175	470	50000	0,418	2500	2500	A0 A01
46	,469	,025 +.0020 -.0020	,428 +.0020 -.0050	,088 +.0030 -.0030	,060 +.0030 -.0030	,0350 +.0030 -.0030	,041 +.0100 -.0020	,443 +.0020 -.0020	,029 +.0030 -.0000	,039	450	1117	,0180	470	42000	0,506	2000	2000	A0 A01
50	,500	,035 +.0020 -.0020	,461 +.0020 -.0050	,108 +.0030 -.0030	,065 +.0040 -.0040	,0400 +.0040 -.0040	,047 +.0100 -.0020	,468 +.0020 -.0020	,039 +.0030 -.0000	,048	550	1675	,0200	910	40000	0,902	1250	1250	A0 A01
55	,551	,035 +.0020 -.0020	,509 +.0050 -.0100	,108 +.0030 -.0030	,053 +.0040 -.0040	,0360 +.0040 -.0040	,047 +.0100 -.0020	,519 +.0020 -.0020	,039 +.0030 -.0000	,048	600	1800	,0165	910	36000	0,814	1000	1000	A0 A01
56	,562	,035 +.0020 -.0020	,521 +.0050 -.0100	,108 +.0030 -.0030	,072 +.0040 -.0040	,0410 +.0040 -.0040	,047 +.0100 -.0020	,530 +.0020 -.0020	,039 +.0030 -.0000	,048	650	1878	,0230	910	35000	1,034	1000	1000	A0 A01
59	,594	,035 +.0020 -.0020	,550 +.0050 -.0100	,109 +.0030 -.0030	,076 +.0040 -.0040	,0430 +.0040 -.0040	,047 +.0100 -.0020	,559 +.0030 -.0030	,039 +.0030 -.0000	,052	750	1979	,0235	910	32000	1,122	1000	1000	A0 A01

*Non standard (prodotti su richiesta) - Non standard (product available on request) - Nichtstandard (Erzeugnisse auf Anfrage) - Non de série (produits en option)

Dimensioni sede Housing dimensions Nutmaße Dimension de la gorge	Dimensioni anello Ring dimensions Ringmaße Dimension de l'anneau	Dati Complementari Supplementary data Ergänzende Daten Données complémentaires	Confezione Packaging Verpackung Emballage en boîte	Pinza Plier Zange Pince	1 Lbr. per 1.000 pezzi Lbr. per 1.000 pieces Lbr. je 1.000 Stk. Poids en Lbr. de 1.000 pièces	2 N. pezzi per confezione Quantity per package Stückzahl pro Verpackung Quantité par boîte	3 Quantità minima da ordinare (o multipla) Minimum quantity to order [or multiple] Mindestbestellmenge (oder Vielfache) Quantité minimum à commander (ou multiples)
---	---	---	---	----------------------------------	---	--	--



ANELLI ELASTICI PER ALBERI TIPO A
RETAINING RINGS FOR SHAFTS TYPE A
SICHERUNGSRINGE FÜR WELLEN TYP A
ANNEAUX ELASTIQUES POUR ARBRES TYPE A



2100-5100

Dimensioni in INCH - Dimensions in INCH - Abmessungen in INCH - Dimensions en INCH

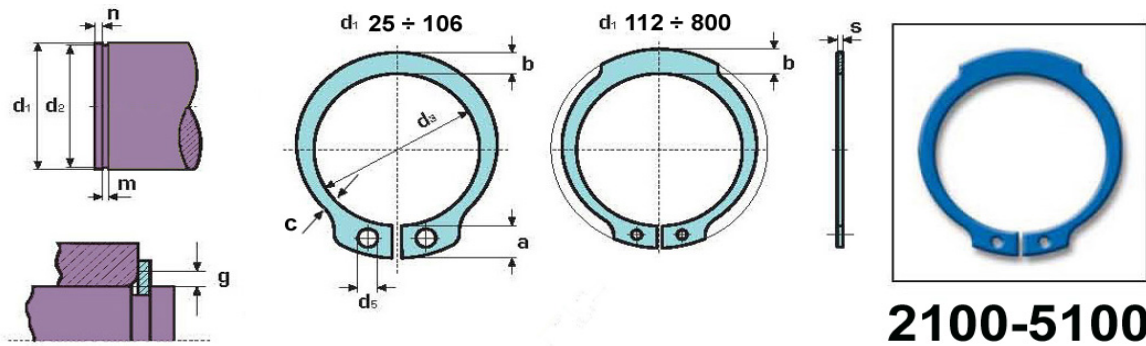
Ring. N°	d1	S	d3	a	b	c	d5	d2	m	n min.	FN Lbr.	FR Lbr.	g	FRg Lbr.	Nabl min ⁻¹	1	2	3		
62	,625	,035 ^{+0.0020} / _{-0.0020}	,579 ^{+0.0050} / _{-0.0100}	,110 ^{+0.0030} / _{-0.0030}	,080 ^{+0.0040} / _{-0.0040}	,0450 ^{+0.0040} / _{-0.0040}	,047 ^{+0.0100} / _{-0.0020}	,588 ^{+0.0030} / _{-0.0030}	,039 ^{+0.0030} / _{-0.0000}	,055	800	2091	,0250	910	30000	1,311	750	750	A0	A01
66	,669	,035 ^{+0.0020} / _{-0.0020}	,621 ^{+0.0050} / _{-0.0100}	,110 ^{+0.0030} / _{-0.0030}	,082 ^{+0.0040} / _{-0.0040}	,0430 ^{+0.0040} / _{-0.0040}	,047 ^{+0.0100} / _{-0.0020}	,629 ^{+0.0030} / _{-0.0030}	,039 ^{+0.0030} / _{-0.0000}	,060	950	2233	,0240	910	29000	1,386	1500	1500	A0	A01
66	,672	,035 ^{+0.0020} / _{-0.0020}	,621 ^{+0.0050} / _{-0.0100}	,110 ^{+0.0030} / _{-0.0030}	,082 ^{+0.0040} / _{-0.0040}	,0430 ^{+0.0040} / _{-0.0040}	,047 ^{+0.0100} / _{-0.0020}	,631 ^{+0.0030} / _{-0.0030}	,039 ^{+0.0030} / _{-0.0000}	,060	950	2233	,0240	910	29000	1,386	1500	1500	A0	A01
68	,688	,042 ^{+0.0020} / _{-0.0020}	,635 ^{+0.0050} / _{-0.0100}	,136 ^{+0.0040} / _{-0.0040}	,084 ^{+0.0050} / _{-0.0050}	,0480 ^{+0.0050} / _{-0.0050}	,052 ^{+0.0100} / _{-0.0020}	,646 ^{+0.0030} / _{-0.0030}	,046 ^{+0.0030} / _{-0.0000}	,063	1000	3451	,0250	1340	28000	1,870	1000	1000	A0	A01
75	,750	,042 ^{+0.0020} / _{-0.0020}	,693 ^{+0.0050} / _{-0.0100}	,136 ^{+0.0040} / _{-0.0040}	,092 ^{+0.0050} / _{-0.0050}	,0510 ^{+0.0050} / _{-0.0050}	,052 ^{+0.0100} / _{-0.0020}	,704 ^{+0.0030} / _{-0.0030}	,046 ^{+0.0030} / _{-0.0000}	,069	1200	3756	,0275	1340	26500	2,112	1000	1000	A0	A01
78	,781	,042 ^{+0.0020} / _{-0.0020}	,722 ^{+0.0050} / _{-0.0100}	,136 ^{+0.0040} / _{-0.0040}	,094 ^{+0.0050} / _{-0.0050}	,0520 ^{+0.0050} / _{-0.0050}	,052 ^{+0.0100} / _{-0.0020}	,733 ^{+0.0030} / _{-0.0030}	,046 ^{+0.0030} / _{-0.0000}	,072	1300	3959	,0280	1340	25500	2,244	1000	1000	A0	A01
81	,812	,042 ^{+0.0020} / _{-0.0020}	,751 ^{+0.0050} / _{-0.0100}	,136 ^{+0.0040} / _{-0.0040}	,096 ^{+0.0050} / _{-0.0050}	,0540 ^{+0.0050} / _{-0.0050}	,052 ^{+0.0100} / _{-0.0020}	,762 ^{+0.0030} / _{-0.0030}	,046 ^{+0.0030} / _{-0.0000}	,075	1450	4060	,0280	1340	24500	2,354	1000	1000	A0	A01
* 84	,844	,042 ^{+0.0020} / _{-0.0020}	,780 ^{+0.0050} / _{-0.0100}	,137 ^{+0.0040} / _{-0.0040}	,100 ^{+0.0050} / _{-0.0050}	,0570 ^{+0.0050} / _{-0.0050}	,052 ^{+0.0100} / _{-0.0020}	,791 ^{+0.0030} / _{-0.0030}	,046 ^{+0.0030} / _{-0.0000}	,078	1500	4200	,0280	1340	24000	2,464			A0	A01
87	,875	,042 ^{+0.0020} / _{-0.0020}	,810 ^{+0.0050} / _{-0.0100}	,137 ^{+0.0040} / _{-0.0040}	,104 ^{+0.0050} / _{-0.0050}	,0570 ^{+0.0050} / _{-0.0050}	,052 ^{+0.0100} / _{-0.0020}	,821 ^{+0.0030} / _{-0.0030}	,046 ^{+0.0030} / _{-0.0000}	,081	1650	4365	,0305	1340	23000	2,640	500	500	A0	A01
93	,938	,042 ^{+0.0020} / _{-0.0020}	,867 ^{+0.0050} / _{-0.0100}	,166 ^{+0.0040} / _{-0.0040}	,110 ^{+0.0050} / _{-0.0050}	,0630 ^{+0.0050} / _{-0.0050}	,078 ^{+0.0150} / _{-0.0020}	,882 ^{+0.0030} / _{-0.0030}	,046 ^{+0.0030} / _{-0.0000}	,084	1850	4720	,0330	1340	21500	3,036	500	500	A1	A11
98	,984	,042 ^{+0.0020} / _{-0.0020}	,910 ^{+0.0050} / _{-0.0100}	,167 ^{+0.0040} / _{-0.0040}	,114 ^{+0.0050} / _{-0.0050}	,0640 ^{+0.0050} / _{-0.0050}	,078 ^{+0.0150} / _{-0.0020}	,926 ^{+0.0030} / _{-0.0030}	,046 ^{+0.0030} / _{-0.0000}	,087	2000	4923	,0335	1340	20500	3,300	500	500	A1	A11
100	1,000	,042 ^{+0.0020} / _{-0.0020}	,925 ^{+0.0050} / _{-0.0100}	,167 ^{+0.0040} / _{-0.0040}	,116 ^{+0.0050} / _{-0.0050}	,0650 ^{+0.0050} / _{-0.0050}	,078 ^{+0.0150} / _{-0.0020}	,940 ^{+0.0030} / _{-0.0030}	,046 ^{+0.0030} / _{-0.0000}	,090	2100	5024	,0340	1340	20000	3,520	750	750	A1	A11
102	1,023	,042 ^{+0.0020} / _{-0.0020}	,946 ^{+0.0050} / _{-0.0100}	,168 ^{+0.0040} / _{-0.0040}	,118 ^{+0.0050} / _{-0.0050}	,0660 ^{+0.0050} / _{-0.0050}	,078 ^{+0.0150} / _{-0.0020}	,961 ^{+0.0030} / _{-0.0030}	,046 ^{+0.0030} / _{-0.0000}	,093	2250	5126	,0350	1340	19500	3,586	500	500	A1	A11
106	1,062	,050 ^{+0.0020} / _{-0.0020}	,982 ^{+0.0100} / _{-0.0150}	,181 ^{+0.0040} / _{-0.0040}	,122 ^{+0.0060} / _{-0.0060}	,0690 ^{+0.0060} / _{-0.0060}	,078 ^{+0.0150} / _{-0.0020}	,998 ^{+0.0040} / _{-0.0040}	,056 ^{+0.0040} / _{-0.0000}	,096	2400	6293	,0360	1950	19000	4,708	500	500	A1	A11
112	1,125	,050 ^{+0.0020} / _{-0.0020}	1,041 ^{+0.0100} / _{-0.0150}	,181 ^{+0.0060} / _{-0.0060}	,181 ^{+0.0060} / _{-0.0060}	,0850 ^{+0.0060} / _{-0.0060}	,087 ^{+0.0000} / _{-0.0080}	1,059 ^{+0.0040} / _{-0.0040}	,056 ^{+0.0040} / _{-0.0000}	,099	2600	6699	,0380	1950	18800	6,138	250	250	A2	A21

*Non standard (prodotti su richiesta) - Non standard (product available on request) - Nichtstandard (Erzeugnisse auf Anfrage) - Non de série (produits en option)

Dimensioni sede Housing dimensions Nutmaße Dimension de la gorge	Dimensioni anello Ring dimensions Ringmaße Dimension de l'anneau	Dati Complementari Supplementary data Ergänzende Daten Données complémentaires	Confezione Packaging Verpackung Emballage en boîte	Pinza Plier Zange Pince	1 Lbr. per 1.000 pezzi Lbr. per 1.000 pieces Lbr. je 1.000 Stk. Poids en Lbr. de 1.000 pièces	2 N. pezzi per confezione Quantity per package Stückzahl pro Verpackung Quantité par boîte	3 Quantità minima da ordinare (o multipla) Minimum quantity to order [or multiple] Mindestbestellmenge (oder Vielfache) Quantité minimum à commander (ou multiples)
---	---	---	---	----------------------------------	---	--	--



ANELLI ELASTICI PER ALBERI TIPO A
RETAINING RINGS FOR SHAFTS TYPE A
SICHERUNGSRINGE FÜR WELLEN TYP A
ANNEAUX ELASTIQUES POUR ARBRES TYPE A



2100-5100

Dimensioni in INCH - Dimensions in INCH - Abmessungen in INCH - Dimensions en INCH

Ring. N°	d1	S	d3	a	b	c	d5	d2	m	n min.	FN Lbr.	FR Lbr.	g	FRg Lbr.	Nabl min ⁻¹	¹ Lbs.	² Lbr.	³ BENERI	Pliers	
118	1,188	,050 +0.0020 -0.0020	1,098 +0.0100 -0.0150	,181 +0.0060 -0.0060	,181 +0.0060 -0.0060	,0850 +0.0060 -0.0060	,087 +0.0000 -0.0080	1,118 +0.0040 -0.0040	,056 +0.0040 -0.0000	,105	2950	7105	,0385	1950	18000	6,974	250	250	A2	A21
125	1,250	,050 +0.0020 -0.0020	1,156 +0.0100 -0.0150	,181 +0.0060 -0.0060	,181 +0.0060 -0.0060	,0870 +0.0060 -0.0060	,108 +0.0000 -0.0100	1,176 +0.0040 -0.0040	,056 +0.0040 -0.0000	,111	3250	7460	,0410	1950	17000	6,127	350	350	A2	A21
131	1,312	,050 +0.0020 -0.0020	1,214 +0.0100 -0.0150	,181 +0.0060 -0.0060	,181 +0.0060 -0.0060	,0940 +0.0060 -0.0060	,108 +0.0000 -0.0100	1,232 +0.0040 -0.0040	,056 +0.0040 -0.0000	,120	3700	7866	,0410	1950	16500	7,546	300	300	A2	A21
137	1,375	,050 +0.0020 -0.0020	1,272 +0.0100 -0.0150	,181 +0.0060 -0.0060	,181 +0.0060 -0.0060	,1000 +0.0060 -0.0060	,108 +0.0000 -0.0100	1,291 +0.0040 -0.0040	,056 +0.0040 -0.0000	,126	4100	8222	,0430	1950	16000	8,257	250	250	A2	A21
143	1,438	,050 +0.0020 -0.0020	1,333 +0.0100 -0.0150	,201 +0.0060 -0.0060	,201 +0.0060 -0.0060	,0960 +0.0080 -0.0080	,108 +0.0000 -0.0100	1,350 +0.0040 -0.0040	,056 +0.0040 -0.0000	,132	4500	8628	,0450	1950	15000	8,382	100	100	A2	A21
150	1,500	,050 +0.0020 -0.0020	1,387 +0.0100 -0.0150	,201 +0.0060 -0.0060	,201 +0.0060 -0.0060	,0960 +0.0080 -0.0080	,108 +0.0000 -0.0100	1,406 +0.0040 -0.0040	,056 +0.0040 -0.0000	,141	5000	8932	,0470	1950	14800	8,536	100	100	A2	A21
156	1,562	,062 +0.0030 -0.0030	1,446 +0.0130 -0.0200	,213 +0.0060 -0.0060	,213 +0.0060 -0.0060	,0980 +0.0080 -0.0080	,108 +0.0000 -0.0100	1,468 +0.0050 -0.0050	,068 +0.0040 -0.0000	,141	5200	11571	,0490	3000	14000	13,706	100	100	A3	A31
162	1,625	,062 +0.0030 -0.0030	1,503 +0.0130 -0.0200	,213 +0.0060 -0.0060	,213 +0.0060 -0.0060	,0980 +0.0080 -0.0080	,108 +0.0000 -0.0100	1,529 +0.0050 -0.0050	,068 +0.0040 -0.0000	,144	5500	12028	,0520	3000	13200	14,740	100	100	A3	A31
168	1,688	,062 +0.0030 -0.0030	1,560 +0.0130 -0.0200	,213 +0.0060 -0.0060	,213 +0.0060 -0.0060	,1000 +0.0080 -0.0080	,108 +0.0000 -0.0100	1,589 +0.0050 -0.0050	,068 +0.0040 -0.0000	,148	5850	12535	,0540	3000	13000	15,026	100	100	A3	A31
175	1,750	,062 +0.0030 -0.0030	1,618 +0.0130 -0.0200	,213 +0.0060 -0.0060	,213 +0.0060 -0.0060	,1000 +0.0080 -0.0080	,108 +0.0000 -0.0100	1,650 +0.0050 -0.0050	,068 +0.0040 -0.0000	,150	6200	12992	,0540	3000	12200	16,434	100	100	A3	A31
177	1,772	,062 +0.0030 -0.0030	1,637 +0.0130 -0.0200	,213 +0.0060 -0.0060	,213 +0.0060 -0.0060	,1000 +0.0080 -0.0080	,108 +0.0000 -0.0100	1,669 +0.0050 -0.0050	,068 +0.0040 -0.0000	,154	6400	13144	,0550	3000	11700	16,280	100	100	A3	A31
181	1,812	,062 +0.0030 -0.0030	1,675 +0.0130 -0.0200	,213 +0.0060 -0.0060	,213 +0.0060 -0.0060	,1020 +0.0080 -0.0080	,108 +0.0000 -0.0100	1,708 +0.0050 -0.0050	,068 +0.0040 -0.0000	,156	6650	13449	,0550	3000	11500	16,544	100	100	A3	A31
187	1,875	,062 +0.0030 -0.0030	1,735 +0.0130 -0.0200	,213 +0.0060 -0.0060	,213 +0.0060 -0.0060	,1020 +0.0080 -0.0080	,108 +0.0000 -0.0100	1,769 +0.0050 -0.0050	,068 +0.0040 -0.0000	,159	7000	13906	,0560	3000	11000	18,238	100	100	A3	A31
196	1,969	,062 +0.0030 -0.0030	1,819 +0.0130 -0.0200	,213 +0.0060 -0.0060	,213 +0.0060 -0.0060	,1100 +0.0080 -0.0080	,108 +0.0000 -0.0100	1,857 +0.0050 -0.0050	,068 +0.0040 -0.0000	,168	7800	14565	,0560	3000	10500	19,316	100	100	A3	A31
200	2,000	,062 +0.0030 -0.0030	1,850 +0.0130 -0.0200	,213 +0.0060 -0.0060	,213 +0.0060 -0.0060	,1100 +0.0080 -0.0080	,108 +0.0000 -0.0100	1,886 +0.0050 -0.0050	,068 +0.0040 -0.0000	,171	8050	14819	,0570	3000	10000	17,996	100	100	A3	A31

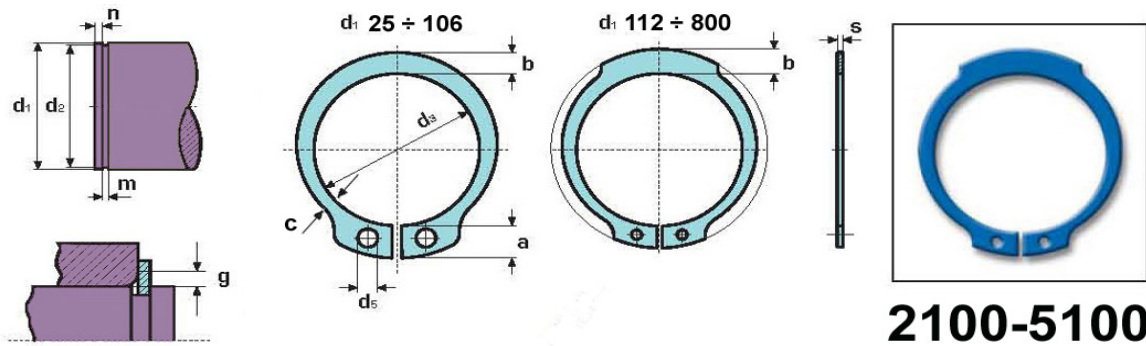
*Non standard (prodotti su richiesta) - Non standard (product available on request) - Nichtstandard (Erzeugnisse auf Anfrage) - Non de série (produits en option)

- Dimensioni sede
Housing dimensions
Nutmaße
Dimension de la gorge
- Dimensioni anello
Ring dimensions
Ringmaße
Dimension de l'anneau
- Dati Complementari
Supplementary data
Ergänzende Daten
Données complémentaires
- Confezione
Packaging
Verpackung
Emballage en boîte
- Pinza
Plier
Zange
Pince
- 1** Lbr. per 1.000 pezzi
Lbr. per 1.000 pieces
Lbr. je 1.000 Stk.
Poids en Lbr. de 1.000 pièces
- 2** N. pezzi per confezione
Quantity per package
Stückzahl pro Verpackung
Quantité par boîte
- 3** Quantità minima da ordinare (o multipla)
Minimum quantity to order [or multiple]
Mindestbestellmenge (oder Vielfache)
Quantité minimum à commander (ou multiples)

3



ANELLI ELASTICI PER ALBERI TIPO A
RETAINING RINGS FOR SHAFTS TYPE A
SICHERUNGSRINGE FÜR WELLEN TYP A
ANNEAUX ELASTIQUES POUR ARBRES TYPE A



2100-5100

Dimensioni in INCH - Dimensions in INCH - Abmessungen in INCH - Dimensions en INCH

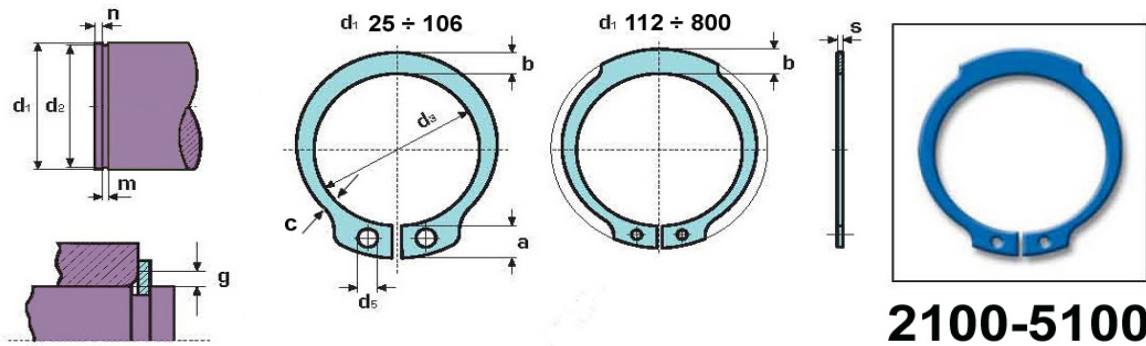
Ring. N°	d1	S	d3	a	b	c	d5	d2	m	n min.	FN Lbr.	FR Lbr.	g	FRg Lbr.	Nabl min ⁻¹	¹ Lbs.	² Lbr.	³ BENERI	Pliers	
206	2,062	,078 ^{+0,0030} / _{-0,0030}	1,906 ^{+0,0150} / _{-0,0250}	,209 ^{+0,0060} / _{-0,0060}	,209 ^{+0,0060} / _{-0,0060}	,1100 ^{+0,0100} / _{-0,0100}	,108 ^{+0,0000} / _{-0,0100}	1,946 ^{+0,0060} / _{-0,0060}	,086 ^{+0,0050} / _{-0,0000}	,174	8450	19234	,0590	5000	9600	22,110	100	100	A3	A31
212	2,125	,078 ^{+0,0030} / _{-0,0030}	1,964 ^{+0,0150} / _{-0,0250}	,209 ^{+0,0060} / _{-0,0060}	,209 ^{+0,0060} / _{-0,0060}	,1120 ^{+0,0100} / _{-0,0100}	,108 ^{+0,0000} / _{-0,0100}	2,003 ^{+0,0060} / _{-0,0060}	,086 ^{+0,0050} / _{-0,0000}	,183	9150	19793	,0590	5000	9500	23,980	100	100	A3	A31
215	2,156	,078 ^{+0,0030} / _{-0,0030}	1,993 ^{+0,0150} / _{-0,0250}	,209 ^{+0,0060} / _{-0,0060}	,209 ^{+0,0060} / _{-0,0060}	,1120 ^{+0,0100} / _{-0,0100}	,108 ^{+0,0000} / _{-0,0100}	2,032 ^{+0,0060} / _{-0,0060}	,086 ^{+0,0050} / _{-0,0000}	,186	9450	20097	,0580	5000	9400	24,024	100	100	A3	A31
225	2,250	,078 ^{+0,0030} / _{-0,0030}	2,081 ^{+0,0150} / _{-0,0250}	,209 ^{+0,0060} / _{-0,0060}	,209 ^{+0,0060} / _{-0,0060}	,1120 ^{+0,0100} / _{-0,0100}	,108 ^{+0,0000} / _{-0,0100}	2,120 ^{+0,0060} / _{-0,0060}	,086 ^{+0,0050} / _{-0,0000}	,195	10350	21011	,0600	5000	9200	24,882	100	100	A3	A31
231	2,312	,078 ^{+0,0030} / _{-0,0030}	2,139 ^{+0,0150} / _{-0,0250}	,209 ^{+0,0060} / _{-0,0060}	,209 ^{+0,0060} / _{-0,0060}	,1140 ^{+0,0100} / _{-0,0100}	,108 ^{+0,0000} / _{-0,0100}	2,178 ^{+0,0060} / _{-0,0060}	,086 ^{+0,0050} / _{-0,0000}	,201	10950	21518	,0600	5000	9000	25,476	100	100	A3	A31
237	2,375	,078 ^{+0,0030} / _{-0,0030}	2,197 ^{+0,0150} / _{-0,0250}	,209 ^{+0,0060} / _{-0,0060}	,209 ^{+0,0060} / _{-0,0060}	,1140 ^{+0,0100} / _{-0,0100}	,108 ^{+0,0000} / _{-0,0100}	2,239 ^{+0,0060} / _{-0,0060}	,086 ^{+0,0050} / _{-0,0000}	,204	11400	22127	,0600	5000	8800	26,576	100	100	A3	A31
243	2,438	,078 ^{+0,0030} / _{-0,0030}	2,255 ^{+0,0150} / _{-0,0250}	,209 ^{+0,0060} / _{-0,0060}	,209 ^{+0,0060} / _{-0,0060}	,1180 ^{+0,0100} / _{-0,0100}	,108 ^{+0,0000} / _{-0,0100}	2,299 ^{+0,0060} / _{-0,0060}	,086 ^{+0,0050} / _{-0,0000}	,207	11900	22736	,0610	5000	8600	28,028	100	100	A3	A31
250	2,500	,078 ^{+0,0030} / _{-0,0030}	2,313 ^{+0,0150} / _{-0,0250}	,209 ^{+0,0060} / _{-0,0060}	,209 ^{+0,0060} / _{-0,0060}	,1180 ^{+0,0100} / _{-0,0100}	,108 ^{+0,0000} / _{-0,0100}	2,360 ^{+0,0060} / _{-0,0060}	,086 ^{+0,0050} / _{-0,0000}	,210	12350	23345	,0620	5000	8400	28,446	100	100	A3	A31
255	2,559	,078 ^{+0,0030} / _{-0,0030}	2,377 ^{+0,0200} / _{-0,0300}	,248 ^{+0,0080} / _{-0,0080}	,248 ^{+0,0080} / _{-0,0080}	,1320 ^{+0,0120} / _{-0,0120}	,128 ^{+0,0000} / _{-0,0100}	2,419 ^{+0,0060} / _{-0,0060}	,086 ^{+0,0050} / _{-0,0000}	,210	12650	23853	,0650	5000	8200	32,868	75	75	A3	A31
262	2,625	,078 ^{+0,0030} / _{-0,0030}	2,428 ^{+0,0200} / _{-0,0300}	,248 ^{+0,0080} / _{-0,0080}	,248 ^{+0,0080} / _{-0,0080}	,1340 ^{+0,0120} / _{-0,0120}	,128 ^{+0,0000} / _{-0,0100}	2,481 ^{+0,0060} / _{-0,0060}	,086 ^{+0,0050} / _{-0,0000}	,216	13350	24462	,0660	5000	8000	34,320	75	75	A3	A31
268	2,688	,078 ^{+0,0030} / _{-0,0030}	2,485 ^{+0,0200} / _{-0,0300}	,248 ^{+0,0080} / _{-0,0080}	,248 ^{+0,0080} / _{-0,0080}	,1340 ^{+0,0120} / _{-0,0120}	,128 ^{+0,0000} / _{-0,0100}	2,541 ^{+0,0060} / _{-0,0060}	,086 ^{+0,0050} / _{-0,0000}	,219	13850	25071	,0670	5000	7900	35,112	75	75	A3	A31
275	2,750	,093 ^{+0,0030} / _{-0,0030}	2,543 ^{+0,0200} / _{-0,0300}	,260 ^{+0,0080} / _{-0,0080}	,260 ^{+0,0080} / _{-0,0080}	,1360 ^{+0,0120} / _{-0,0120}	,128 ^{+0,0000} / _{-0,0100}	2,602 ^{+0,0060} / _{-0,0060}	,103 ^{+0,0050} / _{-0,0000}	,222	14400	30551	,0670	7350	7600	45,650	75	75	A3	A31
287	2,875	,093 ^{+0,0030} / _{-0,0030}	2,659 ^{+0,0200} / _{-0,0300}	,260 ^{+0,0080} / _{-0,0080}	,260 ^{+0,0080} / _{-0,0080}	,1360 ^{+0,0120} / _{-0,0120}	,128 ^{+0,0000} / _{-0,0100}	2,721 ^{+0,0060} / _{-0,0060}	,103 ^{+0,0050} / _{-0,0000}	,231	15650	31973	,0690	7350	7300	45,012	75	75	A3	A31
293	2,938	,093 ^{+0,0030} / _{-0,0030}	2,717 ^{+0,0200} / _{-0,0300}	,260 ^{+0,0080} / _{-0,0080}	,260 ^{+0,0080} / _{-0,0080}	,1380 ^{+0,0120} / _{-0,0120}	,128 ^{+0,0000} / _{-0,0100}	2,779 ^{+0,0060} / _{-0,0060}	,103 ^{+0,0050} / _{-0,0000}	,237	16400	32683	,0700	7350	7200	51,414	75	75	A3	A31
300	3,000	,093 ^{+0,0030} / _{-0,0030}	2,775 ^{+0,0200} / _{-0,0300}	,260 ^{+0,0080} / _{-0,0080}	,260 ^{+0,0080} / _{-0,0080}	,1400 ^{+0,0120} / _{-0,0120}	,128 ^{+0,0000} / _{-0,0100}	2,838 ^{+0,0060} / _{-0,0060}	,103 ^{+0,0050} / _{-0,0000}	,243	17200	33394	,0700	7350	6700	50,930	75	75	A3	A31

*Non standard (prodotti su richiesta) - Non standard (product available on request) - Nichtstandard (Erzeugnisse auf Anfrage) - Non de série (produits en option)

- Dimensioni sede
Housing dimensions
Nutmaße
Dimension de la gorge
- Dimensioni anello
Ring dimensions
Ringmaße
Dimension de l'anneau
- Dati Complementari
Supplementary data
Ergänzende Daten
Données complémentaires
- Confezione
Packaging
Verpackung
Emballage en boîte
- Pinza
Plier
Zange
Pince
- 1** Lbr. per 1.000 pezzi
Lbr. per 1.000 pieces
Lbr. je 1.000 Stk.
Poids en Lbr. de 1.000 pièces
- 2** N. pezzi per confezione
Quantity per package
Stückzahl pro Verpackung
Quantité par boîte
- 3** Quantità minima da ordinare
(o multipla)
Minimum quantity to order
[or multiple]
Mindestbestellmenge
(oder Vielfache)
Quantité minimum à commander (ou multiples)



ANELLI ELASTICI PER ALBERI TIPO A
RETAINING RINGS FOR SHAFTS TYPE A
SICHERUNGSRINGE FÜR WELLEN TYP A
ANNEAUX ELASTIQUES POUR ARBRES TYPE A



2100-5100

Dimensioni in INCH - Dimensions in INCH - Abmessungen in INCH - Dimensions en INCH

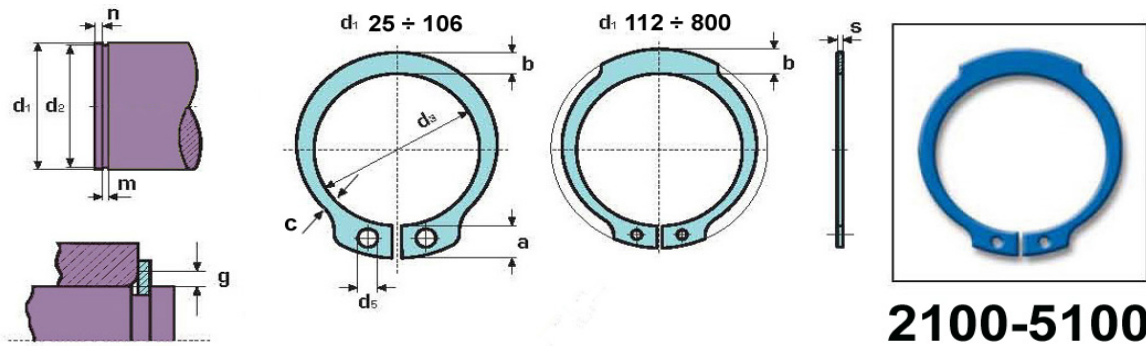
Ring. N°	d1	S	d3	a	b	c	d5	d2	m	n min.	FN Lbr.	FR Lbr.	g	FRg Lbr.	Nabl min ⁻¹	1 Lbs.	2	3 BENERI	Pinza	
306	3,062	,093 ^{+0,0030} / _{-0,0030}	2,832 ^{+0,0200} / _{-0,0300}	,260 ^{+0,0080} / _{-0,0080}	,260 ^{+0,0080} / _{-0,0080}	,1400 ^{+0,0120} / _{-0,0120}	,128 ^{+0,0000} / _{-0,0100}	2,898 ^{+0,0060} / _{-0,0060}	,103 ^{+0,0050} / _{-0,0000}	,246	17750	34003	,0640	7350	6600	50,028	75	75	A3	A31
312	3,125	,093 ^{+0,0030} / _{-0,0030}	2,892 ^{+0,0200} / _{-0,0300}	,260 ^{+0,0080} / _{-0,0080}	,260 ^{+0,0080} / _{-0,0080}	,1400 ^{+0,0120} / _{-0,0120}	,128 ^{+0,0000} / _{-0,0100}	2,957 ^{+0,0060} / _{-0,0060}	,103 ^{+0,0050} / _{-0,0000}	,252	18550	34815	,0720	7350	6600	50,556	75	75	A3	A31
315	3,156	,093 ^{+0,0030} / _{-0,0030}	2,920 ^{+0,0200} / _{-0,0300}	,260 ^{+0,0080} / _{-0,0080}	,260 ^{+0,0080} / _{-0,0080}	,1420 ^{+0,0120} / _{-0,0120}	,128 ^{+0,0000} / _{-0,0100}	2,986 ^{+0,0060} / _{-0,0060}	,103 ^{+0,0050} / _{-0,0000}	,255	18950	35119	,0720	7350	6500	50,556	75	75	A3	A31
325	3,250	,093 ^{+0,0030} / _{-0,0030}	3,006 ^{+0,0200} / _{-0,0300}	,260 ^{+0,0080} / _{-0,0080}	,260 ^{+0,0080} / _{-0,0080}	,1440 ^{+0,0120} / _{-0,0120}	,128 ^{+0,0000} / _{-0,0100}	3,076 ^{+0,0060} / _{-0,0060}	,103 ^{+0,0050} / _{-0,0000}	,261	20000	36134	,0740	7350	6400	53,636	75	75	A3	A31
334	3,346	,093 ^{+0,0030} / _{-0,0030}	3,092 ^{+0,0200} / _{-0,0300}	,295 ^{+0,0080} / _{-0,0080}	,295 ^{+0,0080} / _{-0,0080}	,1610 ^{+0,0120} / _{-0,0120}	,150 ^{+0,0000} / _{-0,0120}	3,166 ^{+0,0060} / _{-0,0060}	,103 ^{+0,0050} / _{-0,0000}	,270	21000	37251	,0760	7350	6000	62,502	50	50	A4	A41
343	3,438	,093 ^{+0,0030} / _{-0,0030}	3,179 ^{+0,0200} / _{-0,0300}	,295 ^{+0,0080} / _{-0,0080}	,295 ^{+0,0080} / _{-0,0080}	,1630 ^{+0,0120} / _{-0,0120}	,150 ^{+0,0000} / _{-0,0120}	3,257 ^{+0,0060} / _{-0,0060}	,103 ^{+0,0050} / _{-0,0000}	,270	21900	38266	,0770	7350	5900	63,558	50	50	A4	A41
350	3,500	,109 ^{+0,0030} / _{-0,0030}	3,237 ^{+0,0200} / _{-0,0300}	,315 ^{+0,0120} / _{-0,0120}	,315 ^{+0,0120} / _{-0,0120}	,1650 ^{+0,0120} / _{-0,0120}	,150 ^{+0,0000} / _{-0,0120}	3,316 ^{+0,0060} / _{-0,0060}	,120 ^{+0,0050} / _{-0,0000}	,276	22800	45574	,0730	10500	5900	80,872	50	50	A4	A41
354	3,543	,109 ^{+0,0030} / _{-0,0030}	3,277 ^{+0,0200} / _{-0,0300}	,315 ^{+0,0120} / _{-0,0120}	,315 ^{+0,0120} / _{-0,0120}	,1650 ^{+0,0120} / _{-0,0120}	,150 ^{+0,0000} / _{-0,0120}	3,357 ^{+0,0060} / _{-0,0060}	,120 ^{+0,0050} / _{-0,0000}	,279	23300	46183	,0740	10500	5800	74,536	50	50	A4	A41
362	3,625	,109 ^{+0,0030} / _{-0,0030}	3,352 ^{+0,0200} / _{-0,0300}	,315 ^{+0,0120} / _{-0,0120}	,315 ^{+0,0120} / _{-0,0120}	,1650 ^{+0,0120} / _{-0,0120}	,150 ^{+0,0000} / _{-0,0120}	3,435 ^{+0,0060} / _{-0,0060}	,120 ^{+0,0050} / _{-0,0000}	,285	24300	47299	,0760	10500	5700	79,838	50	50	A4	A41
368	3,688	,109 ^{+0,0030} / _{-0,0030}	3,410 ^{+0,0200} / _{-0,0300}	,315 ^{+0,0120} / _{-0,0120}	,315 ^{+0,0120} / _{-0,0120}	,1690 ^{+0,0120} / _{-0,0120}	,150 ^{+0,0000} / _{-0,0120}	3,493 ^{+0,0060} / _{-0,0060}	,120 ^{+0,0050} / _{-0,0000}	,291	25300	48010	,0780	10500	5600	83,578	50	50	A4	A41
375	3,750	,109 ^{+0,0030} / _{-0,0030}	3,468 ^{+0,0200} / _{-0,0300}	,315 ^{+0,0120} / _{-0,0120}	,315 ^{+0,0120} / _{-0,0120}	,1710 ^{+0,0120} / _{-0,0120}	,150 ^{+0,0000} / _{-0,0120}	3,552 ^{+0,0060} / _{-0,0060}	,120 ^{+0,0050} / _{-0,0000}	,297	26200	48822	,0800	10500	5500	89,100	50	50	A4	A41
387	3,875	,109 ^{+0,0030} / _{-0,0030}	3,584 ^{+0,0200} / _{-0,0300}	,315 ^{+0,0120} / _{-0,0120}	,315 ^{+0,0120} / _{-0,0120}	,1750 ^{+0,0120} / _{-0,0120}	,150 ^{+0,0000} / _{-0,0120}	3,673 ^{+0,0060} / _{-0,0060}	,120 ^{+0,0050} / _{-0,0000}	,303	27700	50446	,0820	10500	5100	90,222	50	50	A4	A41
393	3,938	,109 ^{+0,0030} / _{-0,0030}	3,642 ^{+0,0200} / _{-0,0300}	,315 ^{+0,0120} / _{-0,0120}	,315 ^{+0,0120} / _{-0,0120}	,1750 ^{+0,0120} / _{-0,0120}	,150 ^{+0,0000} / _{-0,0120}	3,734 ^{+0,0060} / _{-0,0060}	,120 ^{+0,0050} / _{-0,0000}	,306	28400	51359	,0820	10500	5200	90,860	50	50	A4	A41
400	4,000	,109 ^{+0,0030} / _{-0,0030}	3,700 ^{+0,0200} / _{-0,0300}	,315 ^{+0,0120} / _{-0,0120}	,315 ^{+0,0120} / _{-0,0120}	,1770 ^{+0,0120} / _{-0,0120}	,150 ^{+0,0000} / _{-0,0120}	3,792 ^{+0,0060} / _{-0,0060}	,120 ^{+0,0050} / _{-0,0000}	,312	29400	52171	,0810	10500	5000	92,664	50	50	A4	A41
412	4,125	,109 ^{+0,0030} / _{-0,0030}	3,800 ^{+0,0200} / _{-0,0300}	,331 ^{+0,0120} / _{-0,0120}	,331 ^{+0,0120} / _{-0,0120}	,1830 ^{+0,0160} / _{-0,0160}	,169 ^{+0,0000} / _{-0,0120}	3,915 ^{+0,0060} / _{-0,0060}	,120 ^{+0,0050} / _{-0,0000}	,315	29800	53200	,0810	10500	4900	101,662	40	40	A4	A41

*Non standard (prodotti su richiesta) - Non standard (product available on request) - Nichtstandard (Erzeugnisse auf Anfrage) - Non de série (produits en option)

Dimensioni sede Housing dimensions Nutmaße Dimension de la gorge	Dimensioni anello Ring dimensions Ringmaße Dimension de l'anneau	Dati Complementari Supplementary data Ergänzende Daten Données complémentaires	Confezione Packaging Verpackung Emballage en boîte	Pinza Plier Zange Pince	1 Lbr. per 1.000 pezzi Lbr. per 1.000 pieces Lbr. je 1.000 Stk. Poids en Lbr. de 1.000 pièces	2 N. pezzi per confezione Quantity per package Stückzahl pro Verpackung Quantité par boîte	3 Quantità minima da ordinare (o multipla) Minimum quantity to order [or multiple] Mindestbestellmenge (oder Vielfache) Quantité minimum à commander (ou multiples)
---	---	---	---	----------------------------------	---	--	--



ANELLI ELASTICI PER ALBERI TIPO A
RETAINING RINGS FOR SHAFTS TYPE A
SICHERUNGSRINGE FÜR WELLEN TYP A
ANNEAUX ELASTIQUES POUR ARBRES TYPE A



2100-5100

Dimensioni in INCH - Dimensions in INCH - Abmessungen in INCH - Dimensions en INCH

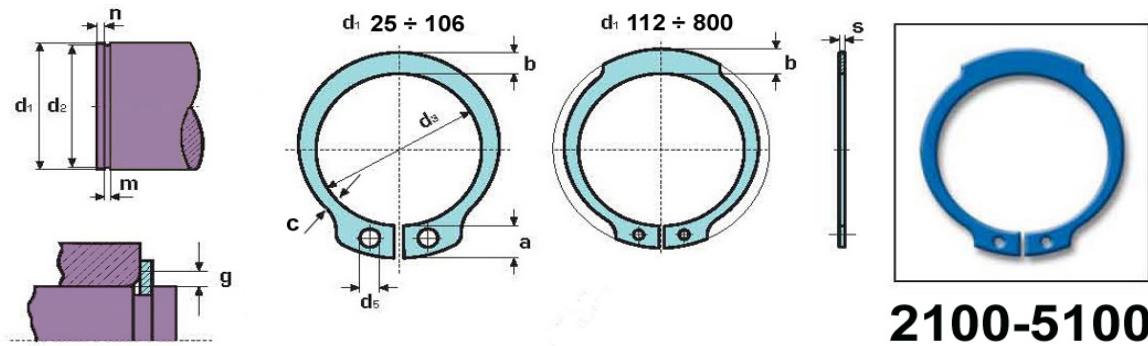
Ring. N°	d1	S	d3	a	b	c	d5	d2	m	n min.	FN Lbr.	FR Lbr.	g	FRg Lbr.	Nabl min ⁻¹	¹ Lbs.	² Lbr.	³ BENERI	Pliers	
425	4,250	,109 +.0030 -.0030	3,989 +.0200 -.0300	,331 +.0120 -.0120	,331 +.0120 -.0120	,1870 +.0160 -.0160	,169 +.0000 -.0120	4,065 +.0060 -.0060	,120 +.0050 -.0000	,276	27600	55419	,0880	10500	4800	106,040	40	40	A4	A41
437	4,375	,109 +.0030 -.0030	4,106 +.0200 -.0300	,331 +.0120 -.0120	,331 +.0120 -.0120	,1890 +.0160 -.0160	,169 +.0000 -.0120	4,190 +.0060 -.0060	,120 +.0050 -.0000	,276	28400	57043	,0880	10500	4700	108,570	40	40	A4	A41
450	4,500	,109 +.0030 -.0030	4,223 +.0200 -.0300	,331 +.0120 -.0120	,331 +.0120 -.0120	,1910 +.0160 -.0160	,169 +.0000 -.0120	4,310 +.0060 -.0060	,120 +.0050 -.0000	,285	30200	58667	,0610	10500	4500	110,924	40	40	A4	A41
475	4,750	,109 +.0030 -.0030	4,458 +.0200 -.0300	,331 +.0120 -.0120	,331 +.0120 -.0120	,1930 +.0160 -.0160	,169 +.0000 -.0120	4,550 +.0060 -.0060	,120 +.0050 -.0000	,300	33600	61915	,0690	10500	4200	115,412	40	40	A4	A41
500	5,000	,109 +.0030 -.0030	4,692 +.0200 -.0300	,331 +.0120 -.0120	,331 +.0120 -.0120	,1950 +.0160 -.0160	,169 +.0000 -.0120	4,790 +.0060 -.0060	,120 +.0050 -.0000	,315	37100	65163	,0990	10500	4000	119,416	40	40	A4	A41
525	5,250	,125 +.0040 -.0040	4,927 +.0200 -.0400	,378 +.0120 -.0120	,378 +.0120 -.0120	,2010 +.0160 -.0160	,169 +.0000 -.0120	5,030 +.0070 -.0070	,139 +.0060 -.0000	,330	40800	78460	,1010	13500	3900	191,400	40	40	A4	A41
550	5,500	,125 +.0040 -.0040	5,162 +.0200 -.0400	,378 +.0120 -.0120	,378 +.0120 -.0120	,2030 +.0160 -.0160	,169 +.0000 -.0120	5,265 +.0070 -.0070	,139 +.0060 -.0000	,351	45500	82215	,1050	13500	3700	201,718	40	40	A4	A41
575	5,750	,125 +.0040 -.0040	5,396 +.0200 -.0400	,378 +.0120 -.0120	,378 +.0120 -.0120	,2110 +.0160 -.0160	,169 +.0000 -.0120	5,505 +.0070 -.0070	,139 +.0060 -.0000	,366	49600	85971	,1100	13500	3500	217,404	40	40	A4	A41
600	6,000	,125 +.0040 -.0040	5,631 +.0200 -.0400	,378 +.0120 -.0120	,378 +.0120 -.0120	,2170 +.0160 -.0160	,169 +.0000 -.0120	5,745 +.0070 -.0070	,139 +.0060 -.0000	,381	53800	89625	,0860	13500	3400	228,272	40	40	A4	A41
625	6,250	,156 +.0050 -.0050	5,866 +.0200 -.0500	,425 +.0120 -.0120	,425 +.0120 -.0120	,2240 +.0160 -.0160	,169 +.0000 -.0120	5,985 +.0080 -.0080	,174 +.0080 -.0000	,396	58300	116522	,0890	21000	3100	301,400	40	40	A4	A41
650	6,500	,156 +.0050 -.0050	6,100 +.0200 -.0500	,531 +.0120 -.0120	,488 +.0160 -.0160	,2910 +.0160 -.0160	,169 +.0000 -.0120	6,225 +.0080 -.0080	,174 +.0080 -.0000	,411	62900	121191	,1140	21000	3000	349,624	40	40	A5	A51
675	6,750	,156 +.0050 -.0050	6,335 +.0200 -.0500	,531 +.0120 -.0120	,531 +.0120 -.0120	,2910 +.0160 -.0160	,169 +.0000 -.0120	6,465 +.0080 -.0080	,174 +.0080 -.0000	,426	67700	125860	,1200	21000	3000	384,604	40	40	A5	A51
700	7,000	,156 +.0050 -.0050	6,570 +.0500 -.1300	,531 +.0120 -.0120	,531 +.0120 -.0120	,2910 +.0160 -.0160	,169 +.0000 -.0120	6,705 +.0080 -.0080	,174 +.0080 -.0000	,441	72700	130529	,1250	21000	2900	392,040	40	40	A5	A51
725	7,250	,187 +.0050 -.0050	6,775 +.0500 -.1300	,551 +.0120 -.0120	,551 +.0120 -.0120	,2910 +.0160 -.0160	,169 +.0000 -.0120	6,942 +.0080 -.0080	,209 +.0080 -.0000	,460	78900	162096	,1280	30000	2800	517,000	40	40	A5	A51
750	7,500	,187 +.0050 -.0050	7,009 +.0500 -.1300	,551 +.0120 -.0120	,551 +.0120 -.0120	,2910 +.0160 -.0160	,169 +.0000 -.0120	7,180 +.0080 -.0080	,209 +.0080 -.0000	,480	84800	167678	,1320	30000	2700	550,000	40	40	A5	A51

*Non standard (prodotti su richiesta) - Non standard (product available on request) - Nichtstandard (Erzeugnisse auf Anfrage) - Non de série (produits en option)

Dimensioni sede Housing dimensions Nutmaße Dimension de la gorge	Dimensioni anello Ring dimensions Ringmaße Dimension de l'anneau	Dati Complementari Supplementary data Ergänzende Daten Données complémentaires	Confezione Packaging Verpackung Emballage en boîte	Pinza Plier Zange Pince	1 Lbr. per 1.000 pezzi Lbr. per 1.000 pieces Lbr. je 1.000 Stk. Poids en Lbr. de 1.000 pièces	2 N. pezzi per confezione Quantity per package Stückzahl pro Verpackung Quantité par boîte	3 Quantità minima da ordinare (o multipla) Minimum quantity to order [or multiple] Mindestbestellmenge (oder Vielfache) Quantité minimum à commander (ou multiples)
---	---	---	---	----------------------------------	---	--	--



ANELLI ELASTICI PER ALBERI TIPO A
RETAINING RINGS FOR SHAFTS TYPE A
SICHERUNGSRINGE FÜR WELLEN TYP A
ANNEAUX ELASTIQUES POUR ARBRES TYPE A



Dimensioni in INCH - Dimensions in INCH - Abmessungen in INCH - Dimensions en INCH

Ring. N°	d1	S	d3	a	b	c	d5	d2	m	n min.	FN Lbr.	FR Lbr.	g	FRg Lbr.	Nabl min ⁻¹	¹ Lbs.	² Box	³ BENERI Box	Pliers	
775	7,750	,187 ^{+0,0050} / _{-0,0050}	7,243 ^{+0,0500} / _{-0,1300}	,551 ^{+0,0120} / _{-0,0120}	,551 ^{+0,0120} / _{-0,0120}	,2950 ^{+0,0160} / _{-0,0160}	,169 ^{+0,0000} / _{-0,0120}	7,420 ^{+0,0080} / _{-0,0080}	,209 ^{+0,0080} / _{-0,0000}	,495	90450	173261	,1360	30000	2600	571,450	40	40	A5	A51
800	8,000	,187 ^{+0,0050} / _{-0,0050}	7,478 ^{+0,0500} / _{-0,1300}	,551 ^{+0,0120} / _{-0,0120}	,551 ^{+0,0120} / _{-0,0120}	,2950 ^{+0,0160} / _{-0,0160}	,169 ^{+0,0000} / _{-0,0120}	7,660 ^{+0,0080} / _{-0,0080}	,209 ^{+0,0080} / _{-0,0000}	,510	96100	178743	,1410	30000	2500	594,000	40	40	A5	A51

*Non standard (prodotti su richiesta) - Non standard (product available on request) - Nichtstandard (Erzeugnisse auf Anfrage) - Non de série (produits en option)

Dimensions sede
Housing dimensions
Nutmaße
Dimension de la gorge

Dimensioni anello
Ring dimensions
Ringmaße
Dimension de l'anneau

Dati Complementari
Supplementary data
Ergänzende Daten
Données complémentaires

Confezione
Packaging
Verpackung
Emballage en boîte

Pinza
Plier
Zange
Pince

1
Lbr. per 1.000 pezzi
Lbr. per 1.000 pieces
Lbr. je 1.000 Stk.
Poids en Lbr. de 1.000 pièces

2
N. pezzi per confezione
Quantity per package
Stückzahl pro Verpackung
Quantité par boîte

3
Quantità minima da ordinare (o multipla)
Minimum quantity to order [or multiple]
Mindestbestellmenge (oder Vielfache)
Quantité minimum à commander (ou multiples)