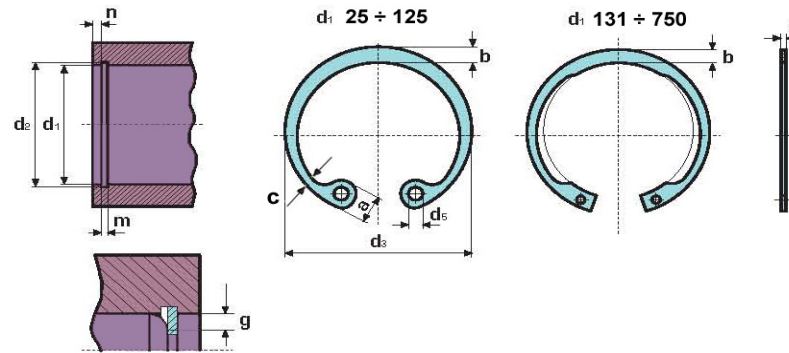




**ANELLI ELASTICI PER FORI TIPO J**  
**RETAINING RINGS FOR BORES TYPE J**  
**SICHERUNGSRINGE FÜR BOHRUNGEN TYP J**  
**ANNEAUX ELASTIQUES POUR ALESAGE TYPE J**



**2000-5000**

Dimensioni in INCH - Dimensions in INCH - Abmessungen in INCH - Dimensions en INC

Ring N°	d1	S	d3	a	b	c	d5	d2	m	n min.	FN Lbr.	FR Lbr.	g	FRg Lbr.	1	2	3		
25	,250	,015 <sup>+0.0020</sup> / <sub>-0.0020</sub>	,280 <sup>+0.0100</sup> / <sub>-0.0050</sub>	,065 <sup>+0.0030</sup> / <sub>-0.0030</sub>	,025 <sup>+0.0020</sup> / <sub>-0.0020</sub>	,015 <sup>+0.0020</sup> / <sub>-0.0020</sub>	,031 <sup>+0.0100</sup> / <sub>-0.0020</sub>	,268 <sup>+0.0010</sup> / <sub>-0.0010</sub>	,020 <sup>+0.0020</sup> / <sub>-0.0000</sub>	,027	190	426	,0085	190	0,070	2500	2500	/	/
31	,312	,015 <sup>+0.0020</sup> / <sub>-0.0020</sub>	,346 <sup>+0.0100</sup> / <sub>-0.0050</sub>	,091 <sup>+0.0040</sup> / <sub>-0.0040</sub>	,043 <sup>+0.0020</sup> / <sub>-0.0020</sub>	,026 <sup>+0.0020</sup> / <sub>-0.0020</sub>	,047 <sup>+0.0000</sup> / <sub>-0.0020</sub>	,330 <sup>+0.0010</sup> / <sub>-0.0010</sub>	,020 <sup>+0.0020</sup> / <sub>-0.0000</sub>	,027	240	538	,0130	190	0,097	2500	2500	J0	J01
37	,375	,025 <sup>+0.0020</sup> / <sub>-0.0020</sub>	,415 <sup>+0.0100</sup> / <sub>-0.0050</sub>	,082 <sup>+0.0030</sup> / <sub>-0.0030</sub>	,040 <sup>+0.0030</sup> / <sub>-0.0030</sub>	,028 <sup>+0.0030</sup> / <sub>-0.0030</sub>	,041 <sup>+0.0100</sup> / <sub>-0.0020</sub>	,397 <sup>+0.0020</sup> / <sub>-0.0020</sub>	,029 <sup>+0.0030</sup> / <sub>-0.0000</sub>	,033	350	1066	,0180	530	0,286	3000	3000	J0	J01
43	,438	,025 <sup>+0.0020</sup> / <sub>-0.0020</sub>	,482 <sup>+0.0100</sup> / <sub>-0.0050</sub>	,098 <sup>+0.0030</sup> / <sub>-0.0030</sub>	,049 <sup>+0.0030</sup> / <sub>-0.0030</sub>	,029 <sup>+0.0030</sup> / <sub>-0.0030</sub>	,041 <sup>+0.0100</sup> / <sub>-0.0020</sub>	,461 <sup>+0.0020</sup> / <sub>-0.0020</sub>	,029 <sup>+0.0030</sup> / <sub>-0.0000</sub>	,036	440	1238	,0210	530	0,374	2000	2000	J0	J01
45	,453	,025 <sup>+0.0020</sup> / <sub>-0.0020</sub>	,498 <sup>+0.0100</sup> / <sub>-0.0050</sub>	,098 <sup>+0.0030</sup> / <sub>-0.0030</sub>	,050 <sup>+0.0030</sup> / <sub>-0.0030</sub>	,030 <sup>+0.0030</sup> / <sub>-0.0030</sub>	,047 <sup>+0.0100</sup> / <sub>-0.0020</sub>	,477 <sup>+0.0020</sup> / <sub>-0.0020</sub>	,029 <sup>+0.0030</sup> / <sub>-0.0000</sub>	,036	460	1299	,0210	530	0,396	750	750	J0	J01
50	,500	,035 <sup>+0.0020</sup> / <sub>-0.0020</sub>	,548 <sup>+0.0100</sup> / <sub>-0.0050</sub>	,114 <sup>+0.0030</sup> / <sub>-0.0030</sub>	,053 <sup>+0.0040</sup> / <sub>-0.0040</sub>	,035 <sup>+0.0040</sup> / <sub>-0.0040</sub>	,047 <sup>+0.0100</sup> / <sub>-0.0020</sub>	,530 <sup>+0.0020</sup> / <sub>-0.0020</sub>	,039 <sup>+0.0030</sup> / <sub>-0.0000</sub>	,045	510	2010	,0210	1100	0,616	2000	2000	J0	J01
51	,512	,035 <sup>+0.0020</sup> / <sub>-0.0020</sub>	,560 <sup>+0.0100</sup> / <sub>-0.0050</sub>	,114 <sup>+0.0050</sup> / <sub>-0.0050</sub>	,053 <sup>+0.0040</sup> / <sub>-0.0040</sub>	,035 <sup>+0.0040</sup> / <sub>-0.0040</sub>	,047 <sup>+0.0100</sup> / <sub>-0.0020</sub>	,542 <sup>+0.0020</sup> / <sub>-0.0020</sub>	,039 <sup>+0.0030</sup> / <sub>-0.0000</sub>	,045	520	2060	,0210	1100	0,682	2000	2000	J0	J01
56	,562	,035 <sup>+0.0020</sup> / <sub>-0.0020</sub>	,620 <sup>+0.0100</sup> / <sub>-0.0050</sub>	,132 <sup>+0.0050</sup> / <sub>-0.0050</sub>	,053 <sup>+0.0040</sup> / <sub>-0.0040</sub>	,035 <sup>+0.0040</sup> / <sub>-0.0040</sub>	,047 <sup>+0.0100</sup> / <sub>-0.0020</sub>	,596 <sup>+0.0020</sup> / <sub>-0.0020</sub>	,039 <sup>+0.0030</sup> / <sub>-0.0000</sub>	,051	710	2253	,0210	1100	0,814	1000	1000	J0	J01
62	,625	,035 <sup>+0.0020</sup> / <sub>-0.0020</sub>	,694 <sup>+0.0100</sup> / <sub>-0.0050</sub>	,132 <sup>+0.0050</sup> / <sub>-0.0050</sub>	,060 <sup>+0.0040</sup> / <sub>-0.0040</sub>	,035 <sup>+0.0040</sup> / <sub>-0.0040</sub>	,062 <sup>+0.0100</sup> / <sub>-0.0020</sub>	,665 <sup>+0.0020</sup> / <sub>-0.0020</sub>	,039 <sup>+0.0030</sup> / <sub>-0.0000</sub>	,060	1050	2507	,0210	1100	0,858	2000	2000	J1	J11
68	,688	,035 <sup>+0.0020</sup> / <sub>-0.0020</sub>	,763 <sup>+0.0100</sup> / <sub>-0.0050</sub>	,132 <sup>+0.0050</sup> / <sub>-0.0050</sub>	,063 <sup>+0.0040</sup> / <sub>-0.0040</sub>	,036 <sup>+0.0040</sup> / <sub>-0.0040</sub>	,062 <sup>+0.0100</sup> / <sub>-0.0020</sub>	,732 <sup>+0.0020</sup> / <sub>-0.0020</sub>	,039 <sup>+0.0030</sup> / <sub>-0.0000</sub>	,066	1280	2741	,0210	1100	0,990	200	200	J1	J11
75	,750	,035 <sup>+0.0020</sup> / <sub>-0.0020</sub>	,831 <sup>+0.0100</sup> / <sub>-0.0050</sub>	,142 <sup>+0.0050</sup> / <sub>-0.0050</sub>	,070 <sup>+0.0040</sup> / <sub>-0.0040</sub>	,040 <sup>+0.0040</sup> / <sub>-0.0040</sub>	,062 <sup>+0.0100</sup> / <sub>-0.0020</sub>	,796 <sup>+0.0020</sup> / <sub>-0.0020</sub>	,039 <sup>+0.0030</sup> / <sub>-0.0000</sub>	,069	1460	3045	,0250	1100	1,188	200	200	J1	J11
77	,777	,042 <sup>+0.0020</sup> / <sub>-0.0020</sub>	,859 <sup>+0.0100</sup> / <sub>-0.0050</sub>	,146 <sup>+0.0050</sup> / <sub>-0.0050</sub>	,074 <sup>+0.0050</sup> / <sub>-0.0050</sub>	,044 <sup>+0.0050</sup> / <sub>-0.0050</sub>	,062 <sup>+0.0100</sup> / <sub>-0.0020</sub>	,825 <sup>+0.0030</sup> / <sub>-0.0030</sub>	,046 <sup>+0.0030</sup> / <sub>-0.0000</sub>	,072	1580	4618	,0280	1650	1,562	170	170	J1	J11
81	,812	,042 <sup>+0.0020</sup> / <sub>-0.0020</sub>	,901 <sup>+0.0150</sup> / <sub>-0.0100</sub>	,155 <sup>+0.0050</sup> / <sub>-0.0050</sub>	,077 <sup>+0.0050</sup> / <sub>-0.0050</sub>	,044 <sup>+0.0050</sup> / <sub>-0.0050</sub>	,062 <sup>+0.0100</sup> / <sub>-0.0020</sub>	,862 <sup>+0.0030</sup> / <sub>-0.0030</sub>	,046 <sup>+0.0030</sup> / <sub>-0.0000</sub>	,075	1710	4872	,0280	1650	1,771	170	170	J1	J11
86	,866	,042 <sup>+0.0020</sup> / <sub>-0.0020</sub>	,961 <sup>+0.0150</sup> / <sub>-0.0100</sub>	,155 <sup>+0.0050</sup> / <sub>-0.0050</sub>	,081 <sup>+0.0050</sup> / <sub>-0.0050</sub>	,045 <sup>+0.0050</sup> / <sub>-0.0050</sub>	,062 <sup>+0.0100</sup> / <sub>-0.0020</sub>	,920 <sup>+0.0030</sup> / <sub>-0.0030</sub>	,046 <sup>+0.0030</sup> / <sub>-0.0000</sub>	,081	1980	5177	,0280	1650	1,936	170	170	J1	J11
87	,875	,042 <sup>+0.0020</sup> / <sub>-0.0020</sub>	,971 <sup>+0.0150</sup> / <sub>-0.0100</sub>	,155 <sup>+0.0050</sup> / <sub>-0.0050</sub>	,084 <sup>+0.0050</sup> / <sub>-0.0050</sub>	,045 <sup>+0.0050</sup> / <sub>-0.0050</sub>	,062 <sup>+0.0100</sup> / <sub>-0.0020</sub>	,931 <sup>+0.0030</sup> / <sub>-0.0030</sub>	,046 <sup>+0.0030</sup> / <sub>-0.0000</sub>	,084	2080	5227	,0280	1650	1,991	170	170	J1	J11

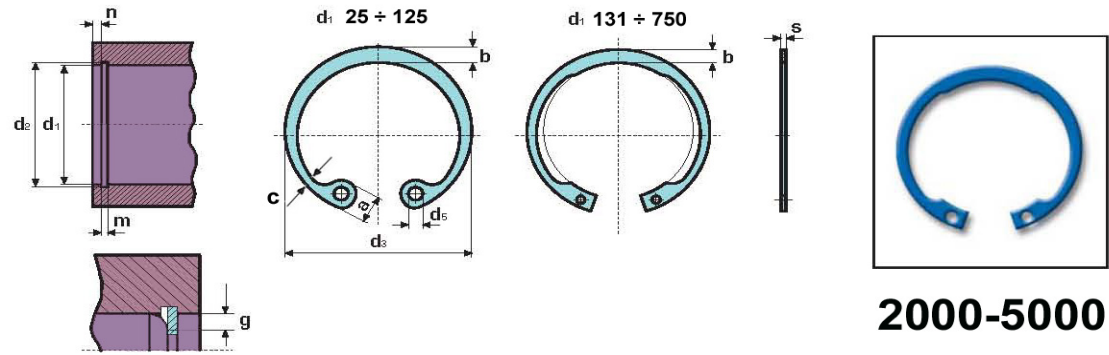
\*Non standard (prodotti su richiesta) - Non standard (product available on request) - Nichtstandard (Erzeugnisse auf Anfrage) - Non de série (produits en option)

- Dimensioni sede  
Housing dimensions  
Nutmaße  
Dimension de la gorge
- Dimensioni anello  
Ring dimensions  
Ringmaße  
Dimension de l'anneau
- Dati Complementari  
Supplementary data  
Ergänzende Daten  
Données complémentaires
- Confezione  
Packaging  
Verpackung  
Emballage en boîte
- Pinza  
Plier  
Zange  
Pince
- 1** Lbr. per 1.000 pezzi  
Lbr per 1.000 pieces  
Lbr je 1.000 Stk.  
Poids en Lbr. de 1.000 pièces
- 2** N. pezzi per confezione  
Quantity per package  
Stückzahl pro Verpackung  
Quantité par boîte
- 3** Quantità minima da ordinare (o multipla)  
Minimum quantity to order [or multiple]  
Mindestbestellmenge (oder Vielfache)  
Quantité minimum à commander (ou multiples)





**ANELLI ELASTICI PER FORI TIPO J**  
**RETAINING RINGS FOR BORES TYPE J**  
**SICHERUNGSRINGE FÜR BOHRUNGEN TYP J**  
**ANNEAUX ELASTIQUES POUR ALESAGE TYPE J**



**2000-5000**

Dimensioni in INCH - Dimensions in INCH - Abmessungen in INCH - Dimensions en INC

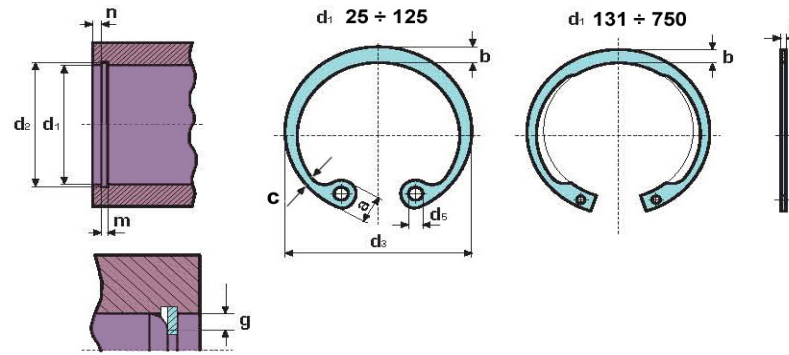
Ring N°	d1	S	d3	a	b	c	d5	d2	m	n min.	FN Lbr.	FR Lbr.	g	FRg Lbr.	1	2	3		
90	,901	,042 <sup>+0.0020</sup> / <sub>-0.0020</sub>	1,000 <sup>+0.0150</sup> / <sub>-0.0100</sub>	,155 <sup>+0.0050</sup> / <sub>-0.0050</sub>	,087 <sup>+0.0050</sup> / <sub>-0.0050</sub>	,047 <sup>+0.0050</sup> / <sub>-0.0050</sub>	,062 <sup>+0.0100</sup> / <sub>-0.0020</sub>	,959 <sup>+0.0030</sup> / <sub>-0.0030</sub>	,046 <sup>+0.0030</sup> / <sub>-0.0000</sub>	,087	2200	5430	,0300	1650	2,222	170	170	J1	J11
93	,938	,042 <sup>+0.0020</sup> / <sub>-0.0020</sub>	1,041 <sup>+0.0150</sup> / <sub>-0.0100</sub>	,155 <sup>+0.0050</sup> / <sub>-0.0050</sub>	,091 <sup>+0.0050</sup> / <sub>-0.0050</sub>	,050 <sup>+0.0050</sup> / <sub>-0.0050</sub>	,062 <sup>+0.0100</sup> / <sub>-0.0020</sub>	1,000 <sup>+0.0030</sup> / <sub>-0.0030</sub>	,046 <sup>+0.0030</sup> / <sub>-0.0000</sub>	,093	2450	5684	,0300	1650	2,310	170	170	J1	J11
100	1,000	,042 <sup>+0.0020</sup> / <sub>-0.0020</sub>	1,111 <sup>+0.0150</sup> / <sub>-0.0100</sub>	,155 <sup>+0.0050</sup> / <sub>-0.0050</sub>	,104 <sup>+0.0050</sup> / <sub>-0.0050</sub>	,052 <sup>+0.0050</sup> / <sub>-0.0050</sub>	,062 <sup>+0.0100</sup> / <sub>-0.0020</sub>	1,066 <sup>+0.0030</sup> / <sub>-0.0030</sub>	,046 <sup>+0.0030</sup> / <sub>-0.0000</sub>	,099	2800	6039	,0340	1650	2,662	170	170	J1	J11
102	1,023	,042 <sup>+0.0020</sup> / <sub>-0.0020</sub>	1,136 <sup>+0.0150</sup> / <sub>-0.0100</sub>	,155 <sup>+0.0050</sup> / <sub>-0.0050</sub>	,106 <sup>+0.0050</sup> / <sub>-0.0050</sub>	,054 <sup>+0.0050</sup> / <sub>-0.0050</sub>	,062 <sup>+0.0100</sup> / <sub>-0.0020</sub>	1,091 <sup>+0.0030</sup> / <sub>-0.0030</sub>	,046 <sup>+0.0030</sup> / <sub>-0.0000</sub>	,102	3000	6141	,0340	1650	2,706	170	170	J1	J11
106	1,062	,050 <sup>+0.0020</sup> / <sub>-0.0020</sub>	1,180 <sup>+0.0250</sup> / <sub>-0.0200</sub>	,180 <sup>+0.0050</sup> / <sub>-0.0050</sub>	,110 <sup>+0.0060</sup> / <sub>-0.0060</sub>	,055 <sup>+0.0060</sup> / <sub>-0.0060</sub>	,078 <sup>+0.0150</sup> / <sub>-0.0020</sub>	1,130 <sup>+0.0040</sup> / <sub>-0.0040</sub>	,056 <sup>+0.0040</sup> / <sub>-0.0000</sub>	,102	3050	7562	,0350	2400	3,564	150	150	J2	J21
112	1,125	,050 <sup>+0.0020</sup> / <sub>-0.0020</sub>	1,249 <sup>+0.0250</sup> / <sub>-0.0200</sub>	,180 <sup>+0.0050</sup> / <sub>-0.0050</sub>	,116 <sup>+0.0060</sup> / <sub>-0.0060</sub>	,057 <sup>+0.0060</sup> / <sub>-0.0060</sub>	,078 <sup>+0.0150</sup> / <sub>-0.0020</sub>	1,197 <sup>+0.0040</sup> / <sub>-0.0040</sub>	,056 <sup>+0.0040</sup> / <sub>-0.0000</sub>	,108	3400	8019	,0360	2400	3,894	150	150	J2	J21
118	1,181	,050 <sup>+0.0020</sup> / <sub>-0.0020</sub>	1,319 <sup>+0.0250</sup> / <sub>-0.0200</sub>	,180 <sup>+0.0050</sup> / <sub>-0.0050</sub>	,120 <sup>+0.0060</sup> / <sub>-0.0060</sub>	,058 <sup>+0.0060</sup> / <sub>-0.0060</sub>	,078 <sup>+0.0150</sup> / <sub>-0.0020</sub>	1,255 <sup>+0.0040</sup> / <sub>-0.0040</sub>	,056 <sup>+0.0040</sup> / <sub>-0.0000</sub>	,111	3700	8526	,0360	2400	4,224	150	150	J2	J21
118	1,188	,050 <sup>+0.0020</sup> / <sub>-0.0020</sub>	1,319 <sup>+0.0250</sup> / <sub>-0.0200</sub>	,180 <sup>+0.0050</sup> / <sub>-0.0050</sub>	,120 <sup>+0.0060</sup> / <sub>-0.0060</sub>	,058 <sup>+0.0060</sup> / <sub>-0.0060</sub>	,078 <sup>+0.0150</sup> / <sub>-0.0020</sub>	1,262 <sup>+0.0040</sup> / <sub>-0.0040</sub>	,056 <sup>+0.0040</sup> / <sub>-0.0000</sub>	,111	3700	8526	,0360	2400	4,224	150	150	J2	J21
125	1,250	,050 <sup>+0.0020</sup> / <sub>-0.0020</sub>	1,388 <sup>+0.0250</sup> / <sub>-0.0200</sub>	,180 <sup>+0.0050</sup> / <sub>-0.0050</sub>	,124 <sup>+0.0060</sup> / <sub>-0.0060</sub>	,062 <sup>+0.0060</sup> / <sub>-0.0060</sub>	,078 <sup>+0.0150</sup> / <sub>-0.0020</sub>	1,330 <sup>+0.0040</sup> / <sub>-0.0040</sub>	,056 <sup>+0.0040</sup> / <sub>-0.0000</sub>	,120	4250	8932	,0380	2400	4,664	150	150	J2	J21
125	1,259	,050 <sup>+0.0020</sup> / <sub>-0.0020</sub>	1,388 <sup>+0.0250</sup> / <sub>-0.0200</sub>	,180 <sup>+0.0050</sup> / <sub>-0.0050</sub>	,124 <sup>+0.0060</sup> / <sub>-0.0060</sub>	,062 <sup>+0.0060</sup> / <sub>-0.0060</sub>	,078 <sup>+0.0150</sup> / <sub>-0.0020</sub>	1,339 <sup>+0.0040</sup> / <sub>-0.0040</sub>	,056 <sup>+0.0040</sup> / <sub>-0.0000</sub>	,120	4250	8932	,0380	2400	4,664	150	150	J2	J21
131	1,312	,050 <sup>+0.0020</sup> / <sub>-0.0020</sub>	1,456 <sup>+0.0250</sup> / <sub>-0.0200</sub>	,201 <sup>+0.0060</sup> / <sub>-0.0060</sub>	,130 <sup>+0.0060</sup> / <sub>-0.0060</sub>	,062 <sup>+0.0060</sup> / <sub>-0.0060</sub>	,078 <sup>+0.0150</sup> / <sub>-0.0020</sub>	1,396 <sup>+0.0040</sup> / <sub>-0.0040</sub>	,056 <sup>+0.0040</sup> / <sub>-0.0000</sub>	,126	4700	9440	,0380	2400	5,918	150	150	J2	J21
137	1,375	,050 <sup>+0.0020</sup> / <sub>-0.0020</sub>	1,526 <sup>+0.0250</sup> / <sub>-0.0200</sub>	,201 <sup>+0.0060</sup> / <sub>-0.0060</sub>	,130 <sup>+0.0060</sup> / <sub>-0.0060</sub>	,063 <sup>+0.0060</sup> / <sub>-0.0060</sub>	,078 <sup>+0.0150</sup> / <sub>-0.0020</sub>	1,461 <sup>+0.0040</sup> / <sub>-0.0040</sub>	,056 <sup>+0.0040</sup> / <sub>-0.0000</sub>	,129	5050	9846	,0380	2400	6,072	150	150	J2	J21
137	1,378	,050 <sup>+0.0020</sup> / <sub>-0.0020</sub>	1,526 <sup>+0.0250</sup> / <sub>-0.0200</sub>	,201 <sup>+0.0060</sup> / <sub>-0.0060</sub>	,130 <sup>+0.0060</sup> / <sub>-0.0060</sub>	,063 <sup>+0.0060</sup> / <sub>-0.0060</sub>	,078 <sup>+0.0150</sup> / <sub>-0.0020</sub>	1,464 <sup>+0.0040</sup> / <sub>-0.0040</sub>	,056 <sup>+0.0040</sup> / <sub>-0.0000</sub>	,129	5050	9846	,0380	2400	6,072	150	150	J2	J21
143	1,438	,050 <sup>+0.0020</sup> / <sub>-0.0020</sub>	1,596 <sup>+0.0250</sup> / <sub>-0.0200</sub>	,201 <sup>+0.0060</sup> / <sub>-0.0060</sub>	,133 <sup>+0.0060</sup> / <sub>-0.0060</sub>	,065 <sup>+0.0060</sup> / <sub>-0.0060</sub>	,078 <sup>+0.0150</sup> / <sub>-0.0020</sub>	1,528 <sup>+0.0040</sup> / <sub>-0.0040</sub>	,056 <sup>+0.0040</sup> / <sub>-0.0000</sub>	,135	5500	10353	,0380	2400	6,664	150	150	J2	J21
145	1,456	,050 <sup>+0.0020</sup> / <sub>-0.0020</sub>	1,616 <sup>+0.0250</sup> / <sub>-0.0200</sub>	,201 <sup>+0.0060</sup> / <sub>-0.0060</sub>	,133 <sup>+0.0060</sup> / <sub>-0.0060</sub>	,065 <sup>+0.0060</sup> / <sub>-0.0060</sub>	,078 <sup>+0.0150</sup> / <sub>-0.0020</sub>	1,548 <sup>+0.0040</sup> / <sub>-0.0040</sub>	,056 <sup>+0.0040</sup> / <sub>-0.0000</sub>	,138	5700	10455	,0380	2400	6,930	150	150	J2	J21

\*Non standard (prodotti su richiesta) - Non standard (product available on request) - Nichtstandard (Erzeugnisse auf Anfrage) - Non de série (produits en option)

- Dimensioni sede  
Housing dimensions  
Nutmaße  
Dimension de la gorge
- Dimensioni anello  
Ring dimensions  
Ringmaße  
Dimension de l'anneau
- Dati Complementari  
Supplementary data  
Ergänzende Daten  
Données complémentaires
- Confezione  
Packaging  
Verpackung  
Emballage en boîte
- Pinza  
Plier  
Zange  
Pince
- 1** Lbr. per 1.000 pezzi  
Lbr per 1.000 pieces  
Lbr je 1.000 Stk.  
Poids en Lbr. de 1.000 pièces
- 2** N. pezzi per confezione  
Quantity per package  
Stückzahl pro Verpackung  
Quantité par boîte
- 3** Quantità minima da ordinare (o multipla)  
Minimum quantity to order [or multiple]  
Mindestbestellmenge (oder Vielfache)  
Quantité minimum à commander (ou multiples)



**ANELLI ELASTICI PER FORI TIPO J**  
**RETAINING RINGS FOR BORES TYPE J**  
**SICHERUNGSRINGE FÜR BOHRUNGEN TYP J**  
**ANNEAUX ELASTIQUES POUR ALESAGE TYPE J**



**2000-5000**

Dimensioni in INCH - Dimensions in INCH - Abmessungen in INCH - Dimensions en INC

Ring N°	d1	S	d3	a	b	c	d5	d2	m	n min.	FN Lbr.	FR Lbr.	g	FRg Lbr.	1	2	3		
150	1,500	,050 <sup>+0.0020</sup> / <sub>-0.0020</sub>	1,660 <sup>+0.0250</sup> / <sub>-0.0200</sub>	,201 <sup>+0.0060</sup> / <sub>-0.0060</sub>	,133 <sup>+0.0060</sup> / <sub>-0.0060</sub>	,066 <sup>+0.0060</sup> / <sub>-0.0060</sub>	,078 <sup>+0.0150</sup> / <sub>-0.0020</sub>	1,594 <sup>+0.0040</sup> / <sub>-0.0040</sub>	,056 <sup>+0.0040</sup> / <sub>-0.0000</sub>	,141	6000	10708	,0380	2400	6,930	150	150	J2	J21
156	1,562	,062 <sup>+0.0030</sup> / <sub>-0.0030</sub>	1,734 <sup>+0.0350</sup> / <sub>-0.0250</sub>	,213 <sup>+0.0060</sup> / <sub>-0.0060</sub>	,157 <sup>+0.0070</sup> / <sub>-0.0070</sub>	,078 <sup>+0.0070</sup> / <sub>-0.0070</sub>	,078 <sup>+0.0150</sup> / <sub>-0.0020</sub>	1,658 <sup>+0.0050</sup> / <sub>-0.0050</sub>	,068 <sup>+0.0040</sup> / <sub>-0.0000</sub>	,144	6350	13906	,0500	3900	9,735	100	100	J2	J21
156	1,575	,062 <sup>+0.0030</sup> / <sub>-0.0030</sub>	1,734 <sup>+0.0350</sup> / <sub>-0.0250</sub>	,213 <sup>+0.0060</sup> / <sub>-0.0060</sub>	,157 <sup>+0.0070</sup> / <sub>-0.0070</sub>	,078 <sup>+0.0070</sup> / <sub>-0.0070</sub>	,078 <sup>+0.0150</sup> / <sub>-0.0020</sub>	1,671 <sup>+0.0050</sup> / <sub>-0.0050</sub>	,068 <sup>+0.0040</sup> / <sub>-0.0000</sub>	,144	6350	13906	,0500	3900	9,735	100	100	J2	J21
162	1,625	,062 <sup>+0.0030</sup> / <sub>-0.0030</sub>	1,804 <sup>+0.0350</sup> / <sub>-0.0250</sub>	,213 <sup>+0.0060</sup> / <sub>-0.0060</sub>	,164 <sup>+0.0070</sup> / <sub>-0.0070</sub>	,082 <sup>+0.0070</sup> / <sub>-0.0070</sub>	,078 <sup>+0.0150</sup> / <sub>-0.0020</sub>	1,725 <sup>+0.0050</sup> / <sub>-0.0050</sub>	,068 <sup>+0.0040</sup> / <sub>-0.0000</sub>	,150	6900	14413	,0500	3900	11,218	100	100	J2	J21
165	1,653	,062 <sup>+0.0030</sup> / <sub>-0.0030</sub>	1,835 <sup>+0.0350</sup> / <sub>-0.0250</sub>	,213 <sup>+0.0060</sup> / <sub>-0.0060</sub>	,167 <sup>+0.0070</sup> / <sub>-0.0070</sub>	,083 <sup>+0.0070</sup> / <sub>-0.0070</sub>	,078 <sup>+0.0150</sup> / <sub>-0.0020</sub>	1,755 <sup>+0.0050</sup> / <sub>-0.0050</sub>	,068 <sup>+0.0040</sup> / <sub>-0.0000</sub>	,153	7200	14718	,0500	3900	10,960	100	100	J2	J21
168	1,688	,062 <sup>+0.0030</sup> / <sub>-0.0030</sub>	1,874 <sup>+0.0350</sup> / <sub>-0.0250</sub>	,213 <sup>+0.0060</sup> / <sub>-0.0060</sub>	,170 <sup>+0.0070</sup> / <sub>-0.0070</sub>	,085 <sup>+0.0070</sup> / <sub>-0.0070</sub>	,078 <sup>+0.0150</sup> / <sub>-0.0020</sub>	1,792 <sup>+0.0050</sup> / <sub>-0.0050</sub>	,068 <sup>+0.0040</sup> / <sub>-0.0000</sub>	,156	7450	15022	,0500	3900	11,143	100	100	J2	J21
175	1,750	,062 <sup>+0.0030</sup> / <sub>-0.0030</sub>	1,942 <sup>+0.0350</sup> / <sub>-0.0250</sub>	,213 <sup>+0.0060</sup> / <sub>-0.0060</sub>	,170 <sup>+0.0070</sup> / <sub>-0.0070</sub>	,083 <sup>+0.0070</sup> / <sub>-0.0070</sub>	,078 <sup>+0.0150</sup> / <sub>-0.0020</sub>	1,858 <sup>+0.0050</sup> / <sub>-0.0050</sub>	,068 <sup>+0.0040</sup> / <sub>-0.0000</sub>	,162	8050	15580	,0500	3900	11,658	100	100	J2	J21
181	1,812	,062 <sup>+0.0030</sup> / <sub>-0.0030</sub>	2,012 <sup>+0.0350</sup> / <sub>-0.0250</sub>	,213 <sup>+0.0060</sup> / <sub>-0.0060</sub>	,170 <sup>+0.0070</sup> / <sub>-0.0070</sub>	,084 <sup>+0.0070</sup> / <sub>-0.0070</sub>	,093 <sup>+0.0150</sup> / <sub>-0.0020</sub>	1,922 <sup>+0.0050</sup> / <sub>-0.0050</sub>	,068 <sup>+0.0040</sup> / <sub>-0.0000</sub>	,165	8450	16139	,0500	3900	12,742	100	100	J2	J21
185	1,850	,062 <sup>+0.0030</sup> / <sub>-0.0030</sub>	2,054 <sup>+0.0350</sup> / <sub>-0.0250</sub>	,213 <sup>+0.0060</sup> / <sub>-0.0060</sub>	,170 <sup>+0.0070</sup> / <sub>-0.0070</sub>	,085 <sup>+0.0070</sup> / <sub>-0.0070</sub>	,093 <sup>+0.0150</sup> / <sub>-0.0020</sub>	1,962 <sup>+0.0050</sup> / <sub>-0.0050</sub>	,068 <sup>+0.0040</sup> / <sub>-0.0000</sub>	,168	8750	16443	,0500	3900	12,822	100	100	J2	J21
187	1,875	,062 <sup>+0.0030</sup> / <sub>-0.0030</sub>	2,072 <sup>+0.0350</sup> / <sub>-0.0250</sub>	,213 <sup>+0.0060</sup> / <sub>-0.0060</sub>	,170 <sup>+0.0070</sup> / <sub>-0.0070</sub>	,085 <sup>+0.0070</sup> / <sub>-0.0070</sub>	,093 <sup>+0.0150</sup> / <sub>-0.0020</sub>	1,989 <sup>+0.0050</sup> / <sub>-0.0050</sub>	,068 <sup>+0.0040</sup> / <sub>-0.0000</sub>	,171	9050	16697	,0500	3900	12,822	100	100	J2	J21
193	1,938	,062 <sup>+0.0030</sup> / <sub>-0.0030</sub>	2,141 <sup>+0.0350</sup> / <sub>-0.0250</sub>	,213 <sup>+0.0060</sup> / <sub>-0.0060</sub>	,170 <sup>+0.0070</sup> / <sub>-0.0070</sub>	,085 <sup>+0.0070</sup> / <sub>-0.0070</sub>	,093 <sup>+0.0150</sup> / <sub>-0.0020</sub>	2,056 <sup>+0.0050</sup> / <sub>-0.0050</sub>	,068 <sup>+0.0040</sup> / <sub>-0.0000</sub>	,177	9700	17255	,0500	3900	14,498	100	100	J2	J21
200	2,000	,062 <sup>+0.0030</sup> / <sub>-0.0030</sub>	2,210 <sup>+0.0350</sup> / <sub>-0.0250</sub>	,213 <sup>+0.0060</sup> / <sub>-0.0060</sub>	,170 <sup>+0.0070</sup> / <sub>-0.0070</sub>	,085 <sup>+0.0070</sup> / <sub>-0.0070</sub>	,093 <sup>+0.0150</sup> / <sub>-0.0020</sub>	2,122 <sup>+0.0050</sup> / <sub>-0.0050</sub>	,068 <sup>+0.0040</sup> / <sub>-0.0000</sub>	,183	10300	17763	,0500	3900	18,458	100	100	J2	J21
206	2,047	,078 <sup>+0.0030</sup> / <sub>-0.0030</sub>	2,280 <sup>+0.0400</sup> / <sub>-0.0300</sub>	,228 <sup>+0.0060</sup> / <sub>-0.0060</sub>	,228 <sup>+0.0060</sup> / <sub>-0.0060</sub>	,091 <sup>+0.0070</sup> / <sub>-0.0070</sub>	,093 <sup>+0.0150</sup> / <sub>-0.0020</sub>	2,171 <sup>+0.0060</sup> / <sub>-0.0060</sub>	,086 <sup>+0.0050</sup> / <sub>-0.0000</sub>	,186	10850	23091	,0610	6200	19,294	100	100	J2	J21
206	2,062	,078 <sup>+0.0030</sup> / <sub>-0.0030</sub>	2,280 <sup>+0.0400</sup> / <sub>-0.0300</sub>	,228 <sup>+0.0060</sup> / <sub>-0.0060</sub>	,228 <sup>+0.0060</sup> / <sub>-0.0060</sub>	,091 <sup>+0.0070</sup> / <sub>-0.0070</sub>	,093 <sup>+0.0150</sup> / <sub>-0.0020</sub>	2,186 <sup>+0.0060</sup> / <sub>-0.0060</sub>	,086 <sup>+0.0050</sup> / <sub>-0.0000</sub>	,186	10850	23091	,0620	6200	19,294	100	100	J2	J21
212	2,125	,078 <sup>+0.0030</sup> / <sub>-0.0030</sub>	2,350 <sup>+0.0400</sup> / <sub>-0.0300</sub>	,228 <sup>+0.0060</sup> / <sub>-0.0060</sub>	,228 <sup>+0.0060</sup> / <sub>-0.0060</sub>	,096 <sup>+0.0070</sup> / <sub>-0.0070</sub>	,093 <sup>+0.0150</sup> / <sub>-0.0020</sub>	2,251 <sup>+0.0060</sup> / <sub>-0.0060</sub>	,086 <sup>+0.0050</sup> / <sub>-0.0000</sub>	,189	11350	23751	,0620	6200	18,458	100	100	J2	J21

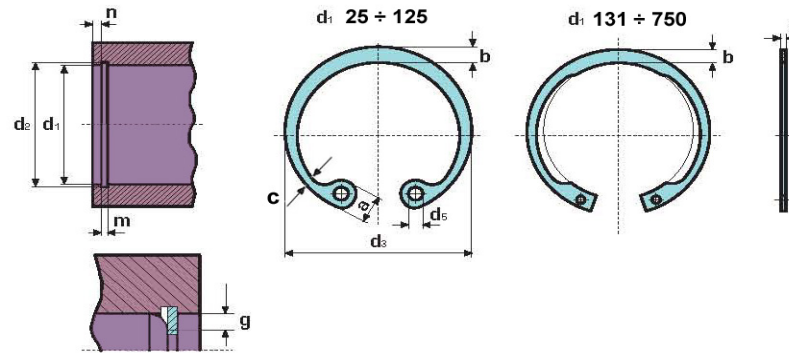
\*Non standard (prodotti su richiesta) - Non standard (product available on request) - Nichtstandard (Erzeugnisse auf Anfrage) - Non de série (produits en option)

- Dimensioni sede  
Housing dimensions  
Nutmaße  
Dimension de la gorge
- Dimensioni anello  
Ring dimensions  
Ringmaße  
Dimension de l'anneau
- Dati Complementari  
Supplementary data  
Ergänzende Daten  
Données complémentaires
- Confezione  
Packaging  
Verpackung  
Emballage en boîte
- Pinza  
Plier  
Zange  
Pince
- 1** Lbr. per 1.000 pezzi  
Lbr per 1.000 pieces  
Lbr je 1.000 Stk.  
Poids en Lbr. de 1.000 pièces
- 2** N. pezzi per confezione  
Quantity per package  
Stückzahl pro Verpackung  
Quantité par boîte
- 3** Quantità minima da ordinare (o multipla)  
Minimum quantity to order [or multiple]  
Mindestbestellmenge (oder Vielfache)  
Quantité minimum à commander (ou multiples)

**3**



**ANELLI ELASTICI PER FORI TIPO J**  
**RETAINING RINGS FOR BORES TYPE J**  
**SICHERUNGSRINGE FÜR BOHRUNGEN TYP J**  
**ANNEAUX ELASTIQUES POUR ALESAGE TYPE J**



**2000-5000**

Dimensioni in INCH - Dimensions in INCH - Abmessungen in INCH - Dimensions en INC

Ring. N°	d1	S	d3	a	b	c	d5	d2	m	n min.	FN Lbr.	FR Lbr.	g	FRg Lbr.	1	2	3		
218	2,165	,078 <sup>+0.0030</sup> / <sub>-0.0030</sub>	2,415 <sup>+0.0400</sup> / <sub>-0.0300</sub>	,228 <sup>+0.0060</sup> / <sub>-0.0060</sub>	,228 <sup>+0.0060</sup> / <sub>-0.0060</sub>	,098 <sup>+0.0070</sup> / <sub>-0.0070</sub>	,093 <sup>+0.0150</sup> / <sub>-0.0020</sub>	2,295 <sup>+0.0060</sup> / <sub>-0.0060</sub>	,086 <sup>+0.0050</sup> / <sub>-0.0000</sub>	,195	12050	24461	,0620	6200	20,548	100	100	J2	J21
218	2,188	,078 <sup>+0.0030</sup> / <sub>-0.0030</sub>	2,415 <sup>+0.0400</sup> / <sub>-0.0300</sub>	,228 <sup>+0.0060</sup> / <sub>-0.0060</sub>	,228 <sup>+0.0060</sup> / <sub>-0.0060</sub>	,098 <sup>+0.0070</sup> / <sub>-0.0070</sub>	,093 <sup>+0.0150</sup> / <sub>-0.0020</sub>	2,318 <sup>+0.0060</sup> / <sub>-0.0060</sub>	,086 <sup>+0.0050</sup> / <sub>-0.0000</sub>	,195	12050	24461	,0620	6200	20,548	100	100	J2	J21
225	2,250	,078 <sup>+0.0030</sup> / <sub>-0.0030</sub>	2,490 <sup>+0.0400</sup> / <sub>-0.0300</sub>	,228 <sup>+0.0060</sup> / <sub>-0.0060</sub>	,228 <sup>+0.0060</sup> / <sub>-0.0060</sub>	,099 <sup>+0.0070</sup> / <sub>-0.0070</sub>	,093 <sup>+0.0150</sup> / <sub>-0.0020</sub>	2,382 <sup>+0.0060</sup> / <sub>-0.0060</sub>	,086 <sup>+0.0050</sup> / <sub>-0.0000</sub>	,198	12600	25223	,0620	6200	20,350	100	100	J2	J21
231	2,312	,078 <sup>+0.0030</sup> / <sub>-0.0030</sub>	2,560 <sup>+0.0400</sup> / <sub>-0.0300</sub>	,228 <sup>+0.0060</sup> / <sub>-0.0060</sub>	,228 <sup>+0.0060</sup> / <sub>-0.0060</sub>	,100 <sup>+0.0070</sup> / <sub>-0.0070</sub>	,093 <sup>+0.0150</sup> / <sub>-0.0020</sub>	2,450 <sup>+0.0060</sup> / <sub>-0.0060</sub>	,086 <sup>+0.0050</sup> / <sub>-0.0000</sub>	,207	13550	25832	,0620	6200	22,352	100	100	J2	J21
237	2,375	,078 <sup>+0.0030</sup> / <sub>-0.0030</sub>	2,630 <sup>+0.0400</sup> / <sub>-0.0300</sub>	,228 <sup>+0.0060</sup> / <sub>-0.0060</sub>	,228 <sup>+0.0060</sup> / <sub>-0.0060</sub>	,102 <sup>+0.0070</sup> / <sub>-0.0070</sub>	,093 <sup>+0.0150</sup> / <sub>-0.0020</sub>	2,517 <sup>+0.0060</sup> / <sub>-0.0060</sub>	,086 <sup>+0.0050</sup> / <sub>-0.0000</sub>	,213	14300	26542	,0620	6200	23,386	100	100	J2	J21
244	2,440	,078 <sup>+0.0030</sup> / <sub>-0.0030</sub>	2,702 <sup>+0.0400</sup> / <sub>-0.0300</sub>	,228 <sup>+0.0060</sup> / <sub>-0.0060</sub>	,228 <sup>+0.0060</sup> / <sub>-0.0060</sub>	,103 <sup>+0.0070</sup> / <sub>-0.0070</sub>	,110 <sup>+0.0150</sup> / <sub>-0.0020</sub>	2,584 <sup>+0.0060</sup> / <sub>-0.0060</sub>	,086 <sup>+0.0050</sup> / <sub>-0.0000</sub>	,216	14900	27304	,0620	6200	23,936	100	100	J3	J31
250	2,500	,078 <sup>+0.0030</sup> / <sub>-0.0030</sub>	2,775 <sup>+0.0400</sup> / <sub>-0.0300</sub>	,248 <sup>+0.0060</sup> / <sub>-0.0060</sub>	,248 <sup>+0.0060</sup> / <sub>-0.0060</sub>	,114 <sup>+0.0120</sup> / <sub>,0000</sub>	,128 <sup>+0.0000</sup> / <sub>-0.0080</sub>	2,648 <sup>+0.0060</sup> / <sub>-0.0060</sub>	,086 <sup>+0.0050</sup> / <sub>-0.0000</sub>	,222	15650	28014	,0620	6200	28,994	100	100	J3	J31
250	2,531	,078 <sup>+0.0030</sup> / <sub>-0.0030</sub>	2,775 <sup>+0.0400</sup> / <sub>-0.0300</sub>	,248 <sup>+0.0060</sup> / <sub>-0.0060</sub>	,248 <sup>+0.0060</sup> / <sub>-0.0060</sub>	,114 <sup>+0.0120</sup> / <sub>,0000</sub>	,128 <sup>+0.0000</sup> / <sub>-0.0080</sub>	2,681 <sup>+0.0060</sup> / <sub>-0.0060</sub>	,086 <sup>+0.0050</sup> / <sub>-0.0000</sub>	,225	15650	28014	,0620	6200	28,994	100	100	J3	J31
256	2,562	,093 <sup>+0.0030</sup> / <sub>-0.0030</sub>	2,844 <sup>+0.0400</sup> / <sub>-0.0300</sub>	,260 <sup>+0.0060</sup> / <sub>-0.0060</sub>	,260 <sup>+0.0060</sup> / <sub>-0.0060</sub>	,109 <sup>+0.0070</sup> / <sub>-0.0070</sub>	,110 <sup>+0.0150</sup> / <sub>-0.0020</sub>	2,714 <sup>+0.0060</sup> / <sub>-0.0060</sub>	,103 <sup>+0.0050</sup> / <sub>-0.0000</sub>	,228	16500	34206	,0700	9000	36,826	75	75	J3	J31
262	2,625	,093 <sup>+0.0030</sup> / <sub>-0.0030</sub>	2,910 <sup>+0.0400</sup> / <sub>-0.0300</sub>	,260 <sup>+0.0060</sup> / <sub>-0.0060</sub>	,260 <sup>+0.0060</sup> / <sub>-0.0060</sub>	,111 <sup>+0.0070</sup> / <sub>-0.0070</sub>	,110 <sup>+0.0150</sup> / <sub>-0.0020</sub>	2,781 <sup>+0.0060</sup> / <sub>-0.0060</sub>	,103 <sup>+0.0050</sup> / <sub>-0.0000</sub>	,234	17350	35068	,0700	9000	34,454	75	75	J3	J31
268	2,677	,093 <sup>+0.0030</sup> / <sub>-0.0030</sub>	2,980 <sup>+0.0400</sup> / <sub>-0.0300</sub>	,260 <sup>+0.0060</sup> / <sub>-0.0060</sub>	,260 <sup>+0.0060</sup> / <sub>-0.0060</sub>	,113 <sup>+0.0070</sup> / <sub>-0.0070</sub>	,110 <sup>+0.0150</sup> / <sub>-0.0020</sub>	2,837 <sup>+0.0060</sup> / <sub>-0.0060</sub>	,103 <sup>+0.0050</sup> / <sub>-0.0000</sub>	,240	18250	35931	,0720	9000	38,898	75	75	J3	J31
268	2,688	,093 <sup>+0.0030</sup> / <sub>-0.0030</sub>	2,980 <sup>+0.0400</sup> / <sub>-0.0300</sub>	,260 <sup>+0.0060</sup> / <sub>-0.0060</sub>	,260 <sup>+0.0060</sup> / <sub>-0.0060</sub>	,113 <sup>+0.0070</sup> / <sub>-0.0070</sub>	,110 <sup>+0.0150</sup> / <sub>-0.0020</sub>	2,848 <sup>+0.0060</sup> / <sub>-0.0060</sub>	,103 <sup>+0.0050</sup> / <sub>-0.0000</sub>	,240	18250	35931	,0720	9000	38,898	75	75	J3	J31
275	2,750	,093 <sup>+0.0030</sup> / <sub>-0.0030</sub>	3,050 <sup>+0.0400</sup> / <sub>-0.0300</sub>	,260 <sup>+0.0060</sup> / <sub>-0.0060</sub>	,260 <sup>+0.0060</sup> / <sub>-0.0060</sub>	,115 <sup>+0.0070</sup> / <sub>-0.0070</sub>	,110 <sup>+0.0150</sup> / <sub>-0.0020</sub>	2,914 <sup>+0.0060</sup> / <sub>-0.0060</sub>	,103 <sup>+0.0050</sup> / <sub>-0.0000</sub>	,246	19200	36642	,0740	9000	39,996	75	75	J3	J31
281	2,812	,093 <sup>+0.0030</sup> / <sub>-0.0030</sub>	3,121 <sup>+0.0400</sup> / <sub>-0.0300</sub>	,260 <sup>+0.0060</sup> / <sub>-0.0060</sub>	,260 <sup>+0.0060</sup> / <sub>-0.0060</sub>	,115 <sup>+0.0070</sup> / <sub>-0.0070</sub>	,110 <sup>+0.0150</sup> / <sub>-0.0020</sub>	2,980 <sup>+0.0060</sup> / <sub>-0.0060</sub>	,103 <sup>+0.0050</sup> / <sub>-0.0000</sub>	,252	20050	37504	,0700	9000	39,734	75	75	J3	J31
281	2,835	,093 <sup>+0.0030</sup> / <sub>-0.0030</sub>	3,121 <sup>+0.0400</sup> / <sub>-0.0300</sub>	,260 <sup>+0.0060</sup> / <sub>-0.0060</sub>	,260 <sup>+0.0060</sup> / <sub>-0.0060</sub>	,115 <sup>+0.0070</sup> / <sub>-0.0070</sub>	,110 <sup>+0.0150</sup> / <sub>-0.0020</sub>	3,006 <sup>+0.0060</sup> / <sub>-0.0060</sub>	,103 <sup>+0.0050</sup> / <sub>-0.0000</sub>	,255	20050	37504	,0700	9000	39,734	75	75	J3	J31

\*Non standard (prodotti su richiesta) - Non standard (product available on request) - Nichtstandard (Erzeugnisse auf Anfrage) - Non de série (produits en option)

Dimensioni sede  
Housing dimensions  
Nutmaße  
Dimension de la gorge

Dimensioni anello  
Ring dimensions  
Ringmaße  
Dimension de l'anneau

Dati Complementari  
Supplementary data  
Ergänzende Daten  
Données complémentaires

Confezione  
Packaging  
Verpackung  
Emballage en boîte

Pinza  
Plier  
Zange  
Pince

**1** Lbr. per 1.000 pezzi  
Lbr per 1.000 pieces  
Lbr je 1.000 Stk.  
Poids en Lbr. de 1.000 pièces

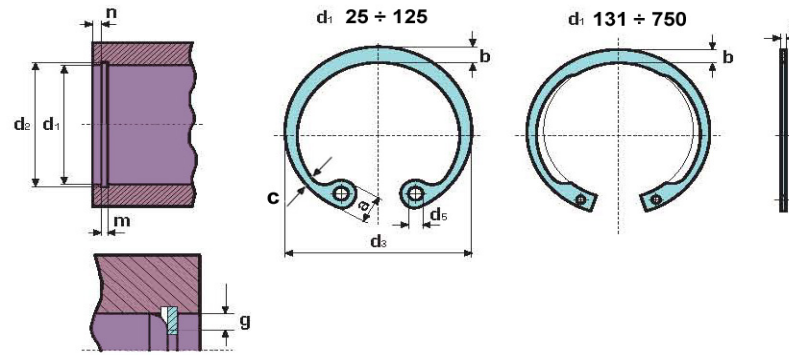
**2** N. pezzi per confezione  
Quantity per package  
Stückzahl pro Verpackung  
Quantité par boîte

**3** Quantità minima da ordinare  
(o multipla)  
Minimum quantity to order  
[or multiple]  
Mindestbestellmenge  
(oder Vielfache)  
Quantité minimum à commander (ou multiples)





**ANELLI ELASTICI PER FORI TIPO J**  
**RETAINING RINGS FOR BORES TYPE J**  
**SICHERUNGSRINGE FÜR BOHRUNGEN TYP J**  
**ANNEAUX ELASTIQUES POUR ALESAGE TYPE J**



**2000-5000**

Dimensioni in INCH - Dimensions in INCH - Abmessungen in INCH - Dimensions en INC

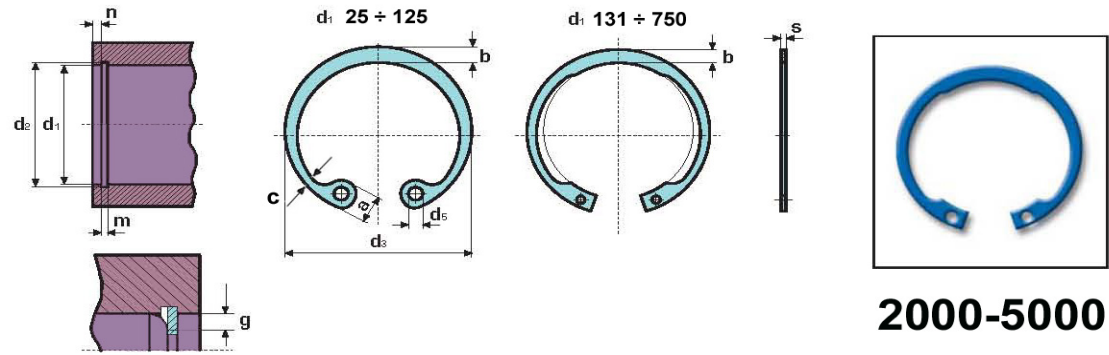
Ring N°	d1	S	d3	a	b	c	d5	d2	m	n min.	FN Lbr.	FR Lbr.	g	FRg Lbr.	1	2	3		
287	2,875	,093 <sup>+0.0030</sup> / <sub>-0.0030</sub>	3,191 <sup>+0.0400</sup> / <sub>-0.0300</sub>	,260 <sup>+0.0060</sup> / <sub>-0.0060</sub>	,260 <sup>+0.0060</sup> / <sub>-0.0060</sub>	,120 <sup>+0.0070</sup> / <sub>-0.0070</sub>	,110 <sup>+0.0150</sup> / <sub>-0.0020</sub>	3,051 <sup>+0.0060</sup> / <sub>-0.0060</sub>	,103 <sup>+0.0050</sup> / <sub>-0.0000</sub>	,264	21500	38367	,0740	9000	42,986	75	75	J3	J31
300	2,953	,093 <sup>+0.0030</sup> / <sub>-0.0030</sub>	3,325 <sup>+0.0400</sup> / <sub>-0.0300</sub>	,260 <sup>+0.0060</sup> / <sub>-0.0060</sub>	,260 <sup>+0.0060</sup> / <sub>-0.0060</sub>	,122 <sup>+0.0070</sup> / <sub>-0.0070</sub>	,110 <sup>+0.0150</sup> / <sub>-0.0020</sub>	3,135 <sup>+0.0060</sup> / <sub>-0.0060</sub>	,103 <sup>+0.0050</sup> / <sub>-0.0000</sub>	,273	23150	40093	,0740	9000	41,996	75	75	J3	J31
300	3,000	,093 <sup>+0.0030</sup> / <sub>-0.0030</sub>	3,325 <sup>+0.0400</sup> / <sub>-0.0300</sub>	,260 <sup>+0.0060</sup> / <sub>-0.0060</sub>	,260 <sup>+0.0060</sup> / <sub>-0.0060</sub>	,122 <sup>+0.0070</sup> / <sub>-0.0070</sub>	,110 <sup>+0.0150</sup> / <sub>-0.0020</sub>	3,182 <sup>+0.0060</sup> / <sub>-0.0060</sub>	,103 <sup>+0.0050</sup> / <sub>-0.0000</sub>	,273	23150	40093	,0740	9000	41,996	75	75	J3	J31
306	3,062	,109 <sup>+0.0030</sup> / <sub>-0.0030</sub>	3,418 <sup>+0.0550</sup> / <sub>-0.0550</sub>	,315 <sup>+0.0080</sup> / <sub>-0.0080</sub>	,315 <sup>+0.0080</sup> / <sub>-0.0080</sub>	,126 <sup>+0.0080</sup> / <sub>-0.0080</sub>	,125 <sup>+0.0150</sup> / <sub>-0.0020</sub>	3,248 <sup>+0.0060</sup> / <sub>-0.0060</sub>	,120 <sup>+0.0050</sup> / <sub>-0.0000</sub>	,279	24100	47807	,0780	12000	0,000	50	50	J3	J31
312	3,125	,109 <sup>+0.0030</sup> / <sub>-0.0030</sub>	3,488 <sup>+0.0550</sup> / <sub>-0.0550</sub>	,315 <sup>+0.0080</sup> / <sub>-0.0080</sub>	,315 <sup>+0.0080</sup> / <sub>-0.0080</sub>	,129 <sup>+0.0080</sup> / <sub>-0.0080</sub>	,125 <sup>+0.0150</sup> / <sub>-0.0020</sub>	3,315 <sup>+0.0060</sup> / <sub>-0.0060</sub>	,120 <sup>+0.0050</sup> / <sub>-0.0000</sub>	,285	25200	48822	,0790	12000	0,000	50	50	J3	J31
315	3,149	,109 <sup>+0.0030</sup> / <sub>-0.0030</sub>	3,523 <sup>+0.0550</sup> / <sub>-0.0550</sub>	,315 <sup>+0.0080</sup> / <sub>-0.0080</sub>	,315 <sup>+0.0080</sup> / <sub>-0.0080</sub>	,129 <sup>+0.0080</sup> / <sub>-0.0080</sub>	,125 <sup>+0.0150</sup> / <sub>-0.0020</sub>	3,341 <sup>+0.0060</sup> / <sub>-0.0060</sub>	,120 <sup>+0.0050</sup> / <sub>-0.0000</sub>	,288	25700	49329	,0800	12000	56,518	50	50	J3	J31
315	3,156	,109 <sup>+0.0030</sup> / <sub>-0.0030</sub>	3,523 <sup>+0.0550</sup> / <sub>-0.0550</sub>	,315 <sup>+0.0080</sup> / <sub>-0.0080</sub>	,315 <sup>+0.0080</sup> / <sub>-0.0080</sub>	,129 <sup>+0.0080</sup> / <sub>-0.0080</sub>	,125 <sup>+0.0150</sup> / <sub>-0.0020</sub>	3,348 <sup>+0.0060</sup> / <sub>-0.0060</sub>	,120 <sup>+0.0050</sup> / <sub>-0.0000</sub>	,288	25700	49329	,0800	12000	56,518	50	50	J3	J31
325	3,250	,109 <sup>+0.0030</sup> / <sub>-0.0030</sub>	3,623 <sup>+0.0550</sup> / <sub>-0.0550</sub>	,315 <sup>+0.0080</sup> / <sub>-0.0080</sub>	,315 <sup>+0.0080</sup> / <sub>-0.0080</sub>	,135 <sup>+0.0080</sup> / <sub>-0.0080</sub>	,125 <sup>+0.0150</sup> / <sub>-0.0020</sub>	3,446 <sup>+0.0060</sup> / <sub>-0.0060</sub>	,120 <sup>+0.0050</sup> / <sub>-0.0000</sub>	,294	27000	50750	,0830	12000	63,976	50	50	J3	J31
334	3,346	,109 <sup>+0.0030</sup> / <sub>-0.0030</sub>	3,734 <sup>+0.0550</sup> / <sub>-0.0550</sub>	,315 <sup>+0.0080</sup> / <sub>-0.0080</sub>	,315 <sup>+0.0080</sup> / <sub>-0.0080</sub>	,140 <sup>+0.0080</sup> / <sub>-0.0080</sub>	,125 <sup>+0.0150</sup> / <sub>-0.0020</sub>	3,546 <sup>+0.0060</sup> / <sub>-0.0060</sub>	,120 <sup>+0.0050</sup> / <sub>-0.0000</sub>	,300	28300	52374	,0860	12000	67,628	50	50	J3	J31
347	3,469	,109 <sup>+0.0030</sup> / <sub>-0.0030</sub>	3,857 <sup>+0.0550</sup> / <sub>-0.0550</sub>	,315 <sup>+0.0080</sup> / <sub>-0.0080</sub>	,315 <sup>+0.0080</sup> / <sub>-0.0080</sub>	,144 <sup>+0.0080</sup> / <sub>-0.0080</sub>	,125 <sup>+0.0150</sup> / <sub>-0.0020</sub>	3,675 <sup>+0.0060</sup> / <sub>-0.0060</sub>	,120 <sup>+0.0050</sup> / <sub>-0.0000</sub>	,309	30200	54201	,0860	12000	69,058	50	50	J3	J31
350	3,500	,109 <sup>+0.0030</sup> / <sub>-0.0030</sub>	3,890 <sup>+0.0550</sup> / <sub>-0.0550</sub>	,315 <sup>+0.0080</sup> / <sub>-0.0080</sub>	,315 <sup>+0.0080</sup> / <sub>-0.0080</sub>	,142 <sup>+0.0080</sup> / <sub>-0.0080</sub>	,125 <sup>+0.0150</sup> / <sub>-0.0020</sub>	3,710 <sup>+0.0060</sup> / <sub>-0.0060</sub>	,120 <sup>+0.0050</sup> / <sub>-0.0000</sub>	,315	31200	54709	,0880	12000	69,718	50	50	J3	J31
354	3,543	,109 <sup>+0.0030</sup> / <sub>-0.0030</sub>	3,936 <sup>+0.0550</sup> / <sub>-0.0550</sub>	,315 <sup>+0.0080</sup> / <sub>-0.0080</sub>	,315 <sup>+0.0080</sup> / <sub>-0.0080</sub>	,142 <sup>+0.0080</sup> / <sub>-0.0080</sub>	,125 <sup>+0.0150</sup> / <sub>-0.0020</sub>	3,755 <sup>+0.0060</sup> / <sub>-0.0060</sub>	,120 <sup>+0.0050</sup> / <sub>-0.0000</sub>	,318	31800	55419	,0880	12000	70,620	50	50	J3	J31
354	3,562	,109 <sup>+0.0030</sup> / <sub>-0.0030</sub>	3,936 <sup>+0.0550</sup> / <sub>-0.0550</sub>	,315 <sup>+0.0080</sup> / <sub>-0.0080</sub>	,315 <sup>+0.0080</sup> / <sub>-0.0080</sub>	,142 <sup>+0.0080</sup> / <sub>-0.0080</sub>	,125 <sup>+0.0150</sup> / <sub>-0.0020</sub>	3,776 <sup>+0.0060</sup> / <sub>-0.0060</sub>	,120 <sup>+0.0050</sup> / <sub>-0.0000</sub>	,321	31800	55419	,0880	12000	70,620	50	50	J3	J31
362	3,625	,109 <sup>+0.0030</sup> / <sub>-0.0030</sub>	4,024 <sup>+0.0550</sup> / <sub>-0.0550</sub>	,315 <sup>+0.0080</sup> / <sub>-0.0080</sub>	,315 <sup>+0.0080</sup> / <sub>-0.0080</sub>	,150 <sup>+0.0080</sup> / <sub>-0.0080</sub>	,125 <sup>+0.0150</sup> / <sub>-0.0020</sub>	3,841 <sup>+0.0060</sup> / <sub>-0.0060</sub>	,120 <sup>+0.0050</sup> / <sub>-0.0000</sub>	,324	33200	56739	,0930	12000	0,000	50	50	J3	J31
375	3,740	,109 <sup>+0.0030</sup> / <sub>-0.0030</sub>	4,157 <sup>+0.0650</sup> / <sub>-0.0650</sub>	,315 <sup>+0.0080</sup> / <sub>-0.0080</sub>	,315 <sup>+0.0080</sup> / <sub>-0.0080</sub>	,155 <sup>+0.0080</sup> / <sub>-0.0080</sub>	,125 <sup>+0.0150</sup> / <sub>-0.0020</sub>	3,964 <sup>+0.0060</sup> / <sub>-0.0060</sub>	,120 <sup>+0.0050</sup> / <sub>-0.0000</sub>	,336	35600	58566	,0960	12000	76,890	50	50	J3	J31

\*Non standard (prodotti su richiesta) - Non standard (product available on request) - Nichtstandard (Erzeugnisse auf Anfrage) - Non de série (produits en option)

- Dimensioni sede  
Housing dimensions  
Nutmaße  
Dimension de la gorge
- Dimensioni anello  
Ring dimensions  
Ringmaße  
Dimension de l'anneau
- Dati Complementari  
Supplementary data  
Ergänzende Daten  
Données complémentaires
- Confezione  
Packaging  
Verpackung  
Emballage en boîte
- Pinza  
Plier  
Zange  
Pince
- 1** Lbr. per 1.000 pezzi  
Lbr per 1.000 pieces  
Lbr je 1.000 Stk.  
Poids en Lbr. de 1.000 pièces
- 2** N. pezzi per confezione  
Quantity per package  
Stückzahl pro Verpackung  
Quantité par boîte
- 3** Quantità minima da ordinare (o multipla)  
Minimum quantity to order [or multiple]  
Mindestbestellmenge (oder Vielfache)  
Quantité minimum à commander (ou multiples)



**ANELLI ELASTICI PER FORI TIPO J**  
**RETAINING RINGS FOR BORES TYPE J**  
**SICHERUNGSRINGE FÜR BOHRUNGEN TYP J**  
**ANNEAUX ELASTIQUES POUR ALESAGE TYPE J**



**2000-5000**

Dimensioni in INCH - Dimensions in INCH - Abmessungen in INCH - Dimensions en INC

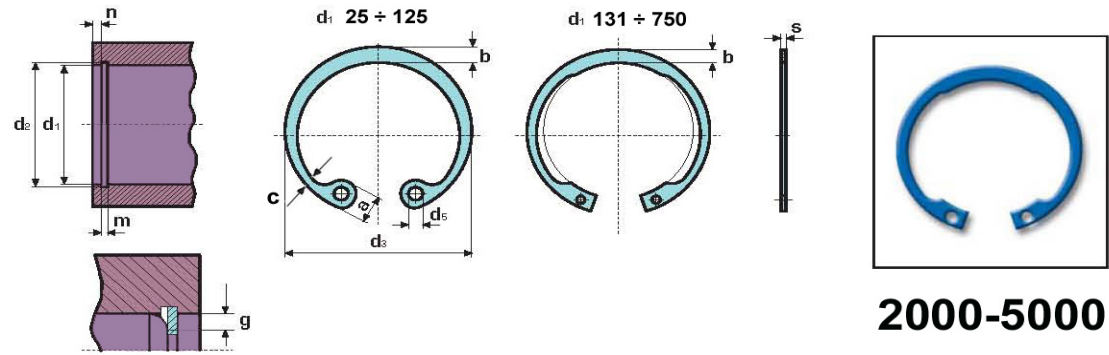
Ring. N°	d1	S	d3	a	b	c	d5	d2	m	n min.	FN Lbr.	FR Lbr.	g	FRg Lbr.	1	2	3		
375	3,750	,109 +.0030 -.0030	4,157 +.0650 -.0650	,315 +.0080 -.0080	,315 +.0080 -.0080	,155 +.0080 -.0080	,125 +.0150 -.0020	3,974 +.0060 -.0060	,120 +.0050 -.0000	,336	35600	58566	,0960	12000	76,890	50	50	J3	J31
387	3,875	,109 +.0030 -.0030	4,291 +.0650 -.0650	,331 +.0080 -.0080	,331 +.0080 -.0080	,160 +.0080 -.0080	,125 +.0150 -.0020	4,107 +.0060 -.0060	,120 +.0050 -.0000	,348	38000	60494	,0980	12000	86,702	40	40	J3	J31
393	3,938	,109 +.0030 -.0030	4,358 +.0650 -.0650	,331 +.0080 -.0080	,331 +.0080 -.0080	,161 +.0080 -.0080	,125 +.0150 -.0020	4,174 +.0060 -.0060	,120 +.0050 -.0000	,354	39300	61611	,0990	12000	87,527	40	40	J3	J31
400	4,000	,109 +.0030 -.0030	4,424 +.0650 -.0650	,331 +.0080 -.0080	,331 +.0080 -.0080	,166 +.0080 -.0080	,125 +.0150 -.0020	4,240 +.0060 -.0060	,120 +.0050 -.0000	,360	40700	62626	,1020	12000	89,892	40	40	J3	J31
412	4,125	,109 +.0030 -.0030	4,558 +.0650 -.0650	,331 +.0080 -.0080	,331 +.0080 -.0080	,171 +.0090 -.0090	,125 +.0150 -.0020	4,365 +.0060 -.0060	,120 +.0050 -.0000	,360	42000	64554	,1040	12000	94,248	40	40	J3	J31
425	4,250	,109 +.0030 -.0030	4,691 +.0650 -.0650	,331 +.0080 -.0080	,331 +.0080 -.0080	,180 +.0090 -.0090	,125 +.0150 -.0020	4,490 +.0060 -.0060	,120 +.0050 -.0000	,360	43200	66483	,1100	12000	100,738	40	40	J3	J31
433	4,331	,109 +.0030 -.0030	4,756 +.0650 -.0650	,366 +.0080 -.0080	,366 +.0080 -.0080	,180 +.0090 -.0090	,156 +.0200 -.0050	4,571 +.0060 -.0060	,120 +.0050 -.0000	,360	44500	67599	,1140	12000	104,698	40	40	J4	J41
450	4,500	,109 +.0030 -.0030	4,940 +.0650 -.0650	,366 +.0080 -.0080	,366 +.0080 -.0080	,181 +.0090 -.0090	,156 +.0200 -.0050	4,740 +.0060 -.0060	,120 +.0050 -.0000	,360	45800	70340	,1170	12000	108,592	40	40	J4	J41
462	4,625	,109 +.0030 -.0030	5,076 +.0650 -.0650	,366 +.0120 -.0120	,366 +.0120 -.0120	,183 +.0090 -.0090	,156 +.0200 -.0050	4,865 +.0060 -.0060	,120 +.0050 -.0000	,360	47000	72370	,1210	12000	0,000	40	40	J4	J41
475	4,724	,109 +.0030 -.0030	5,213 +.0650 -.0650	,366 +.0120 -.0120	,366 +.0120 -.0120	,183 +.0090 -.0090	,156 +.0200 -.0050	4,969 +.0060 -.0060	,120 +.0050 -.0000	,366	49000	74298	,1230	12000	0,000	40	40	J4	J41
475	4,750	,109 +.0030 -.0030	5,213 +.0650 -.0650	,366 +.0120 -.0120	,366 +.0120 -.0120	,183 +.0090 -.0090	,156 +.0200 -.0050	4,995 +.0060 -.0060	,120 +.0050 -.0000	,366	49000	74298	,1230	12000	0,000	40	40	J4	J41
500	5,000	,109 +.0030 -.0030	5,485 +.0650 -.0650	,366 +.0120 -.0120	,366 +.0120 -.0120	,186 +.0090 -.0090	,156 +.0200 -.0050	5,260 +.0060 -.0060	,120 +.0050 -.0000	,390	55000	78155	,1260	12000	0,000	40	40	J4	J41
525	5,250	,125 +.0040 -.0040	5,770 +.0650 -.0650	,378 +.0120 -.0120	,378 +.0120 -.0120	,198 +.0090 -.0090	,156 +.0200 -.0050	5,520 +.0070 -.0070	,139 +.0060 -.0000	,405	60000	94091	,1340	15000	0,000	40	40	J4	J41
537	5,375	,125 +.0040 -.0040	5,910 +.0650 -.0650	,378 +.0120 -.0120	,378 +.0120 -.0120	,198 +.0090 -.0090	,156 +.0200 -.0050	5,650 +.0070 -.0070	,139 +.0060 -.0000	,405	61500	96324	,1340	15000	0,000	40	40	J4	J41
550	5,500	,125 +.0040 -.0040	6,066 +.0650 -.0650	,378 +.0120 -.0120	,378 +.0120 -.0120	,198 +.0090 -.0090	,156 +.0200 -.0050	5,770 +.0070 -.0070	,139 +.0060 -.0000	,405	63300	98658	,1340	15000	0,000	40	40	J4	J41

\*Non standard (prodotti su richiesta) - Non standard (product available on request) - Nichtstandard (Erzeugnisse auf Anfrage) - Non de série (produits en option)

- Dimensioni sede  
Housing dimensions  
Nutmaße  
Dimension de la gorge
- Dimensioni anello  
Ring dimensions  
Ringmaße  
Dimension de l'anneau
- Dati Complementari  
Supplementary data  
Ergänzende Daten  
Données complémentaires
- Confezione  
Packaging  
Verpackung  
Emballage en boîte
- Pinza  
Plier  
Zange  
Pince
- 1** Lbr. per 1.000 pezzi  
Lbr per 1.000 pieces  
Lbr je 1.000 Stk.  
Poids en Lbr. de 1.000 pièces
- 2** N. pezzi per confezione  
Quantity per package  
Stückzahl pro Verpackung  
Quantité par boîte
- 3** Quantità minima da ordinare (o multipla)  
Minimum quantity to order [or multiple]  
Mindestbestellmenge (oder Vielfache)  
Quantité minimum à commander (ou multiples)



**ANELLI ELASTICI PER FORI TIPO J**  
**RETAINING RINGS FOR BORES TYPE J**  
**SICHERUNGSRINGE FÜR BOHRUNGEN TYP J**  
**ANNEAUX ELASTIQUES POUR ALESAGE TYPE J**



**2000-5000**

Dimensioni in INCH - Dimensions in INCH - Abmessungen in INCH - Dimensions en INC

Ring N°	d1	S	d3	a	b	c	d5	d2	m	n min.	FN Lbr.	FR Lbr.	g	FRg Lbr.	1	2	3	
575	5,750	,125 <sup>+0,0040</sup> / <sub>-0,0040</sub>	6,336 <sup>+0,0650</sup> / <sub>-0,0650</sub>	,378 <sup>+0,0120</sup> / <sub>-0,0120</sub>	,378 <sup>+0,0120</sup> / <sub>-0,0120</sub>	,198 <sup>+0,0090</sup> / <sub>-0,0090</sub>	,156 <sup>+0,0200</sup> / <sub>-0,0050</sub>	6,020 <sup>+0,0070</sup> / <sub>-0,0070</sub>	,139 <sup>+0,0060</sup> / <sub>-0,0000</sub>	,405	65900	103124	,1340	15000	0,000	40	40	J4 J41
600	6,000	,125 <sup>+0,0040</sup> / <sub>-0,0040</sub>	6,620 <sup>+0,0650</sup> / <sub>-0,0650</sub>	,378 <sup>+0,0120</sup> / <sub>-0,0120</sub>	,378 <sup>+0,0120</sup> / <sub>-0,0120</sub>	,198 <sup>+0,0090</sup> / <sub>-0,0090</sub>	,156 <sup>+0,0200</sup> / <sub>-0,0050</sub>	6,270 <sup>+0,0070</sup> / <sub>-0,0070</sub>	,139 <sup>+0,0060</sup> / <sub>-0,0000</sub>	,405	68600	107489	,1340	15000	0,000	40	40	J4 J41
625	6,250	,156 <sup>+0,0050</sup> / <sub>-0,0050</sub>	6,895 <sup>+0,0800</sup> / <sub>-0,0800</sub>	,472 <sup>+0,0120</sup> / <sub>-0,0120</sub>	,472 <sup>+0,0120</sup> / <sub>-0,0120</sub>	,211 <sup>+0,0090</sup> / <sub>-0,0090</sub>	,187 <sup>+0,0200</sup> / <sub>-0,0050</sub>	6,530 <sup>+0,0080</sup> / <sub>-0,0080</sub>	,174 <sup>+0,0080</sup> / <sub>-0,0000</sub>	,420	74100	139766	,1420	23000	303,600	40	40	J5 J51
650	6,500	,156 <sup>+0,0050</sup> / <sub>-0,0050</sub>	7,170 <sup>+0,0800</sup> / <sub>-0,0800</sub>	,472 <sup>+0,0120</sup> / <sub>-0,0120</sub>	,472 <sup>+0,0120</sup> / <sub>-0,0120</sub>	,219 <sup>+0,0090</sup> / <sub>-0,0090</sub>	,187 <sup>+0,0200</sup> / <sub>-0,0050</sub>	6,790 <sup>+0,0080</sup> / <sub>-0,0080</sub>	,174 <sup>+0,0080</sup> / <sub>-0,0000</sub>	,435	79900	145450	,1450	23000	359,260	40	40	J5 J51
662	6,625	,156 <sup>+0,0050</sup> / <sub>-0,0050</sub>	7,308 <sup>+0,0800</sup> / <sub>-0,0800</sub>	,531 <sup>+0,0120</sup> / <sub>-0,0120</sub>	,531 <sup>+0,0120</sup> / <sub>-0,0120</sub>	,221 <sup>+0,0090</sup> / <sub>-0,0090</sub>	,187 <sup>+0,0200</sup> / <sub>-0,0050</sub>	6,925 <sup>+0,0080</sup> / <sub>-0,0080</sub>	,174 <sup>+0,0080</sup> / <sub>-0,0000</sub>	,450	84200	148190	,1460	23000	340,560	40	40	J5 J51
675	6,750	,156 <sup>+0,0050</sup> / <sub>-0,0050</sub>	7,445 <sup>+0,0800</sup> / <sub>-0,0800</sub>	,531 <sup>+0,0120</sup> / <sub>-0,0120</sub>	,531 <sup>+0,0120</sup> / <sub>-0,0120</sub>	,224 <sup>+0,0090</sup> / <sub>-0,0090</sub>	,187 <sup>+0,0200</sup> / <sub>-0,0050</sub>	7,055 <sup>+0,0080</sup> / <sub>-0,0080</sub>	,174 <sup>+0,0080</sup> / <sub>-0,0000</sub>	,456	87000	151032	,1500	23000	355,388	40	40	J5 J51
700	7,000	,156 <sup>+0,0050</sup> / <sub>-0,0050</sub>	7,720 <sup>+0,0800</sup> / <sub>-0,0800</sub>	,531 <sup>+0,0120</sup> / <sub>-0,0120</sub>	,531 <sup>+0,0120</sup> / <sub>-0,0120</sub>	,232 <sup>+0,0090</sup> / <sub>-0,0090</sub>	,187 <sup>+0,0200</sup> / <sub>-0,0050</sub>	7,315 <sup>+0,0080</sup> / <sub>-0,0080</sub>	,174 <sup>+0,0080</sup> / <sub>-0,0000</sub>	,471	93100	156615	,1570	23000	376,640	40	40	J5 J51
725	7,250	,187 <sup>+0,0050</sup> / <sub>-0,0050</sub>	7,995 <sup>+0,0900</sup> / <sub>-0,0900</sub>	,551 <sup>+0,0120</sup> / <sub>-0,0120</sub>	,551 <sup>+0,0120</sup> / <sub>-0,0120</sub>	,238 <sup>+0,0100</sup> / <sub>-0,0100</sub>	,187 <sup>+0,0200</sup> / <sub>-0,0050</sub>	7,575 <sup>+0,0080</sup> / <sub>-0,0080</sub>	,209 <sup>+0,0080</sup> / <sub>-0,0000</sub>	,486	99600	194373	,1620	34000	0,000	40	40	J5 J51
750	7,500	,187 <sup>+0,0050</sup> / <sub>-0,0050</sub>	8,270 <sup>+0,0900</sup> / <sub>-0,0900</sub>	,551 <sup>+0,0120</sup> / <sub>-0,0120</sub>	,551 <sup>+0,0120</sup> / <sub>-0,0120</sub>	,247 <sup>+0,0100</sup> / <sub>-0,0100</sub>	,187 <sup>+0,0200</sup> / <sub>-0,0050</sub>	7,840 <sup>+0,0080</sup> / <sub>-0,0080</sub>	,209 <sup>+0,0080</sup> / <sub>-0,0000</sub>	,510	108100	201173	,1660	34000	0,000	40	40	J5 J51

\*Non standard (prodotti su richiesta) - Non standard (product available on request) - Nichtstandard (Erzeugnisse auf Anfrage) - Non de série (produits en option)

- Dimensioni sede  
Housing dimensions  
Nutmaße  
Dimension de la gorge
- Dimensioni anello  
Ring dimensions  
Ringmaße  
Dimension de l'anneau
- Dati Complementari  
Supplementary data  
Ergänzende Daten  
Données complémentaires
- Confezione Packaging  
Verpackung  
Emballage en boîte
- Pinza Plier  
Zange  
Pince
- 1** Lbr. per 1.000 pezzi  
Lbr per 1.000 pieces  
Lbr je 1.000 Stk.  
Poids en Lbr. de 1.000 pièces
- 2** N. pezzi per confezione  
Quantity per package  
Stückzahl pro Verpackung  
Quantité par boîte
- 3** Quantità minima da ordinare (o multipla)  
Minimum quantity to order [or multiple]  
Mindestbestellmenge (oder Vielfache)  
Quantité minimum à commander (ou multiples)